



MODEL NUMBER:
CF-521005-LED-10
CF-521005-LED-20
CF-521005-LED-30
CF-521005-LED-40



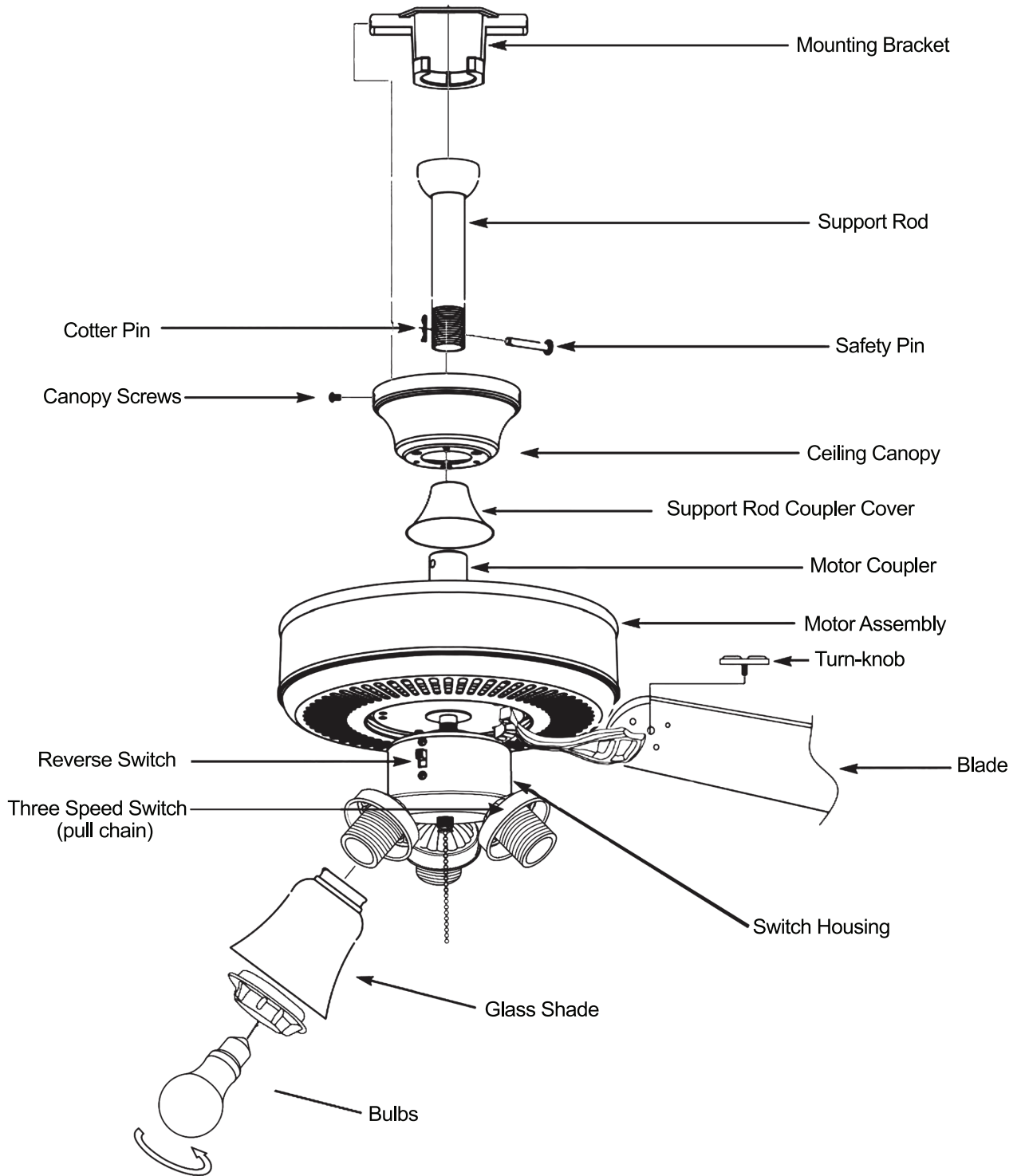
52 in. Classique Ceiling Fan

Owners Manual and Installation Instructions

- 52 in. Sweep 5 Blades
- 153 mm X 13 mm Silicon Steel Motor
- 12 degree Blade Pitch
- Triple Capacitor, Dry Location
- Compliant with DOE and CEC Energy Efficiency Regulations
- 3-Speed Reversible Direction
- Limited Lifetime Warranty (Fan Motor Only)
- 3 A15 Non-Dimmable LED Bulbs (3000K)

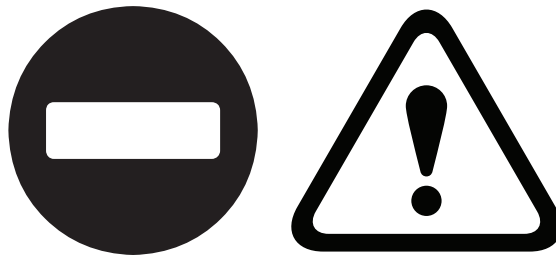


WARNING: This product can expose you to chemicals including lead, which is known to the state of California to cause cancer and birth defects or other reproductive harm.
For more information go to www.P65Warnings.ca.gov.



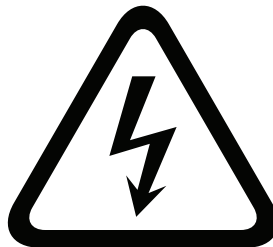
READ AND SAVE THESE INSTRUCTIONS

Before beginning installation of your new Classique ceiling fan, read and follow these safety precautions. If you are not familiar with national and local electrical codes and basic electrical wiring procedures, we recommend that you have a qualified electrician install your new ceiling fan.



WARNING:

To avoid electrical shock turn off power at the fuse or breaker box.



Before you begin, **TURN OFF THE ELECTRICITY.** Determine which circuit your new fan will be using and remove the fuse or turn off the circuit breaker at the main electrical panel.

READ AND SAVE THESE INSTRUCTIONS



Make sure that all wiring conforms to national and local electrical codes. If you are in question, obtain a copy of the codes and wire the fan accordingly. Never leave bare wires uncovered (*wire connection*), use wire nuts to cap all connections. **Plastic electrical tape is not recommended.**



When working with electricity, never take short cuts. Follow the code in every respect. Basic requirements for a ceiling fan installed with lights are, **120 volts AC-60Hz, on a grounded circuit with a 15 amp breaker or fuse.** Make sure that your electrical system and choice of location meet these requirements.



If the location where you plan to install your fan does not already have an electrical outlet, **hire a licensed electrician** to run the wiring and install an outlet box designed for ceiling fans or heavy fixtures. The outlet box should be able to support a minimum moving weight of 50 pounds and marked "Acceptable for Fan Support." **Plastic outlet boxes are not recommended for ceiling fan installation.**



If you plan to use an existing electrical location, check to **make sure that the outlet box is not PLASTIC**, that it is securely attached and able to **support at least 50 pounds of moving weight** and marked "Acceptable for Fan Support". If you have any questions, outlet boxes and support systems for ceiling fans are available at most hardware and do-it-yourself centers. In most cases, your Classique dealer will have all the necessary products for the proper and safe installation of your ceiling fan.



The location you choose should have a **minimum clearance of 20 inches** from any wall to the blade tip at any point in its rotation and a **minimum of 7 feet** from blade level to floor and **10 inches** from the blades to ceiling.

This ceiling fan was not designed for installation in any location where it might be exposed to moisture or high humidity. Installation in this type of location could be **UNSAFE**, will most likely damage the fan and its finish, and will **VOID YOUR WARRANTY.**

Every effort has been made to provide you with proper instructions for the safe installation of this ceiling fan. You could however, encounter situations or problems not covered in this manual. Should this occur, please refer to a do-it-yourself wiring handbook or hire a qualified electrician to install your fan.

Never attach the blades to your ceiling fan before the fan body is properly mounted on the ceiling.

Lubrication of your new ceiling fan is not necessary. The ball bearings have been adequately charged with grease and permanently sealed at the factory so that, under normal conditions, further attention is not necessary.



To reduce the risk of fire, electrical shock, or personal injury, mount this fan to an outlet box marked “Acceptable for Fan Support of 22.7 kg (50 lbs)” or less and use Mounting Screws provided with the outlet box.

CAUTION: Install the primary mounting means and use only the hardware provided with the fan.



To reduce the risk of personal injury take care not to bend the blade brackets when installing the brackets, balancing the blades, or clearing the fan. Be careful not to insert foreign objects in between rotating fan blades.



To reduce the risk of fire or electrical shock, do not use this fan with any solid-state speed control device.

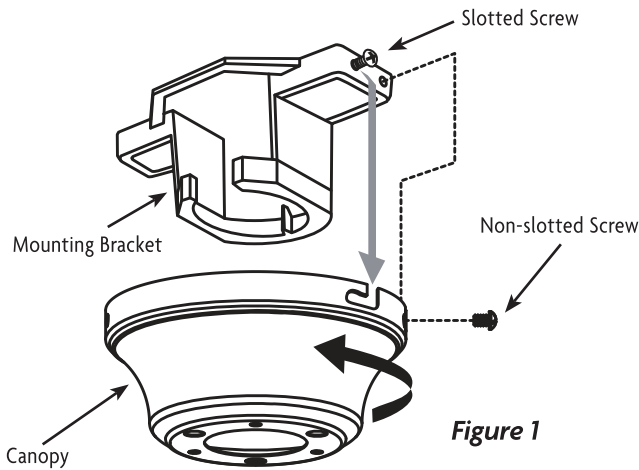


The important safeguards and instructions appearing in this manual are not meant to cover all possible conditions and situations that may occur. It must be understood that common sense, caution and careful attention to detail are factors which cannot be built into this product. These factors must be supplied by the person or persons installing, caring for, and operating the unit.

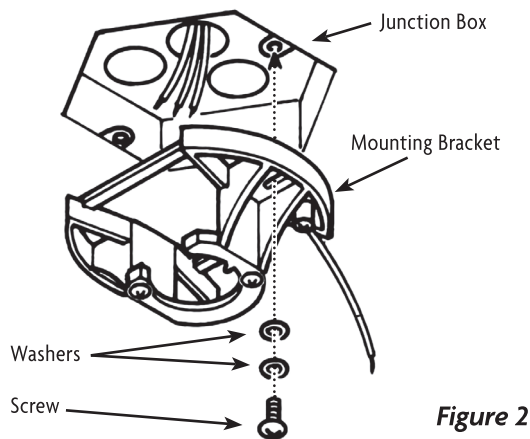


These instructions are designed for a number of similar but different ceiling fans. As you proceed, some steps may or may not apply to the fan you purchased. Compare each step or optional procedure to your fan and proceed accordingly.

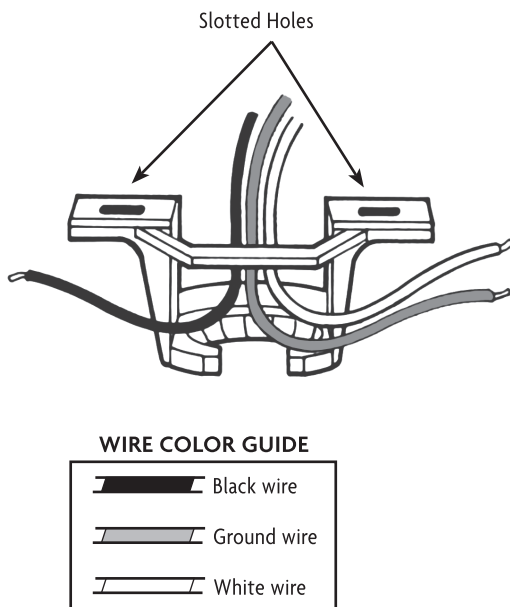
STEP 1: INSTALL MOUNTING BRACKET



Remove the 2 non-slotted mounting screws on the top of the canopy. Back the 2 slotted screws out about half way. This will enable you to remove the mounting bracket from the canopy (*see Figure 1*).



Install the mounting bracket on the electrical junction box in the ceiling using 2 machine screws, 2 washers, and 2 lock washers (*see Figure 2*).



The mounting bracket has slotted holes to enable it to move sideways for proper alignment. Make sure the mounting bracket is centered over the electrical junction box and that it is securely attached.

NO MOVEMENT SHOULD OCCUR BETWEEN THE MOUNTING BRACKET AND THE ELECTRICAL JUNCTION BOX.



Bend the electrical wires up and back out of the way with the black wire to one side and the white and ground wire to the other side. The wires should be off to the side and up against ceiling.

If you are using an extended support rod, (*longer than the one supplied with your fan*) remove the half ball from the small support rod that came with the fan and put it on the extended support rod. Make sure to retighten the set screw and insert the safety screw (*see Figure 3*).

STEP 2: ATTACH THE SUPPORT ASSEMBLY

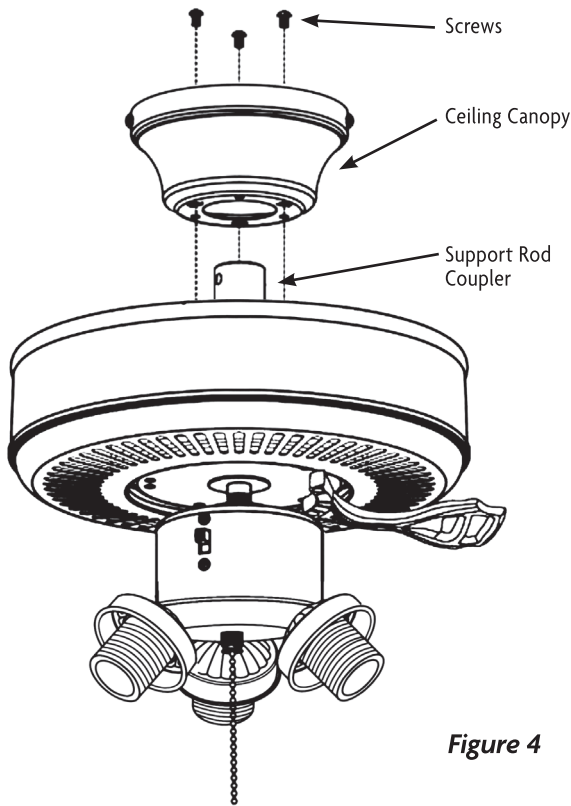


Figure 4

This fan is designed to be mounted as a flush mount (*for lower ceiling heights,*) or suspended.

FLUSHMOUNT (see figure 4)

Loosen the 2 set screws in the support rod coupler located on the top center of the motor housing until the inside channel is clear.

Remove and save the safety screw from the coupler. Place the ceiling canopy on top of the motor housing and secure with the three mounting screws.

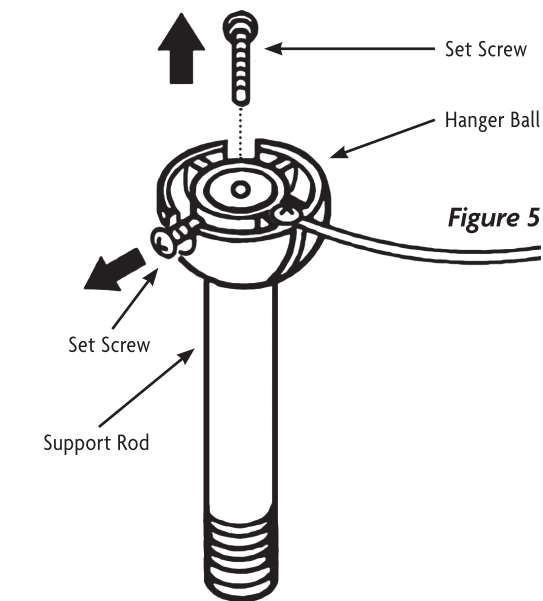


Figure 5

SUSPENDED (see figures 5-6)

Loosen the 2 set screws in the support rod coupler located on the top center of the motor housing until the inside channel is clear.

Remove and save the safety screw from the coupler. Place the ceiling canopy face down (*small end*) over the support rod coupler on the motor housing. Slide canopy onto support rod.

Feed the electrical wires from the fan housing through the support rod.

Thread the support rod into the support rod coupler until the safety pin can be inserted through the hole in both the rod and coupler. Secure with cotter pin.

Insert the set screw in the coupler and tighten firmly. (*see Figure 6*).

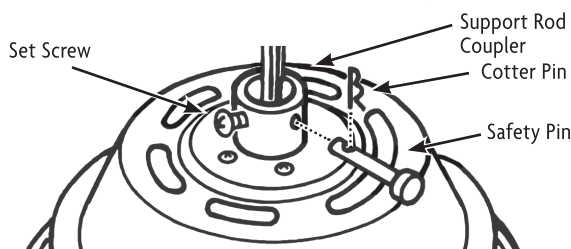


Figure 6

STEP 3: HANGING THE FAN BODY

SUSPENDED INSTALLATION - BEGIN AT THIS STEP

(FLUSHMOUNT installation: skip directly to ★)

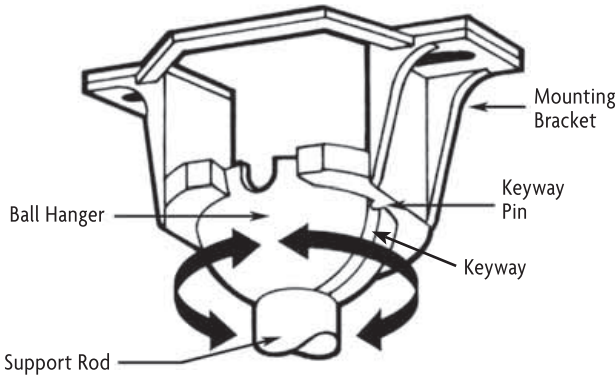


Figure 7

Notice the half ball on the end of the support rod is grooved down one side. This keyway fits over the small keyway pin on the inside of the mounting bracket and keeps the ceiling fan from spinning on the mounting bracket.

Using your step ladder, lift the fan and place the half ball in the center of the mounting bracket with the keyway pin inserted into the keyway on the ball. Turn the fan left and right slightly to make sure it is seated on the bracket with the keyway pin in the keyway (see figure 7).

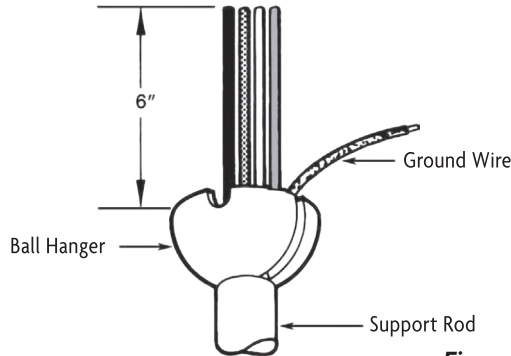


Figure 8

Trim the lead wires, leaving about six inches of each wire extending from the support rod (see figure 8). Continue with next step.

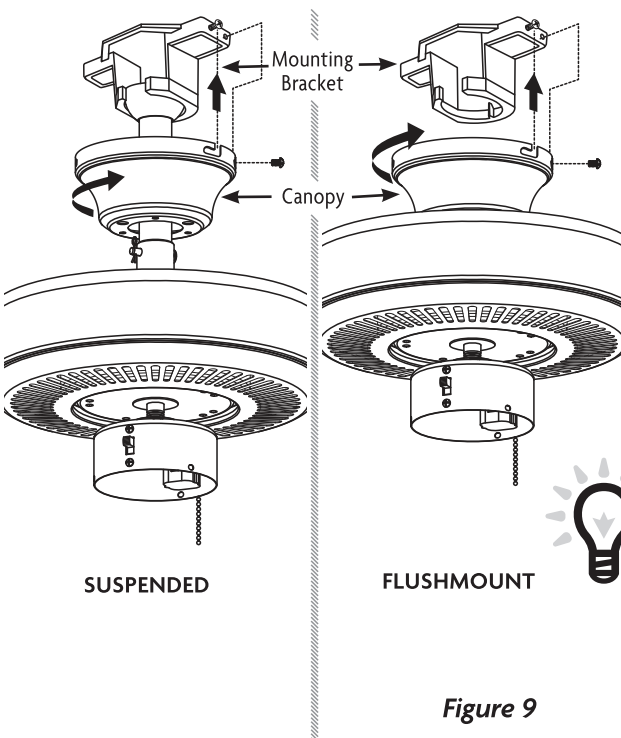


Figure 9

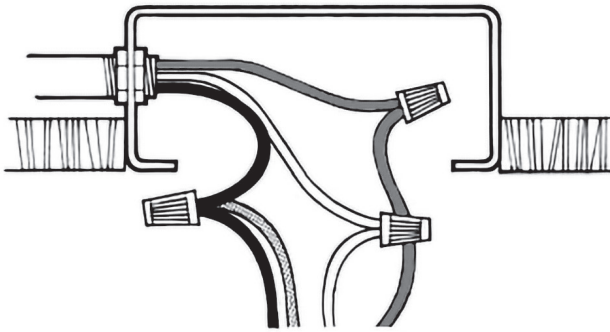
★ FLUSHMOUNT INSTALLATION - BEGIN AT THIS STEP

(SUSPENDED installation: continue with this step)

Slide the ceiling canopy up into place over the ceiling mounting bracket. Loosen the canopy screws on the side of the mounting bracket. Line up the J Slots with the canopy screws. Press the canopy against the mounting bracket and turn it clockwise. Tighten screws on the J Slots and install the two screws in the remaining holes (see figure 9).

Depending on how deep the electrical junction box was installed in the ceiling, you may have a slight gap between the ceiling canopy and the ceiling. Junction boxes are commonly installed at different depths in the ceiling, so we have designed the mounting bracket and canopy to allow for this.

STEP 4: MAKING THE ELECTRICAL CONNECTIONS



WIRE COLOR GUIDE





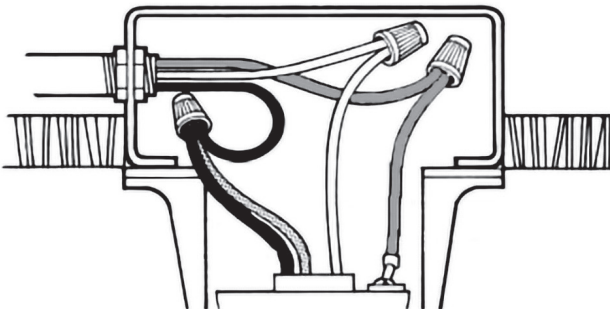
	Black wire
	Blue wire
	Green wire
	White wire

Figure 10



Each of the above connections should be made as tight as possible using the proper size plastic wire nuts. Plastic electrical tape is not recommended for these connections.



WIRE COLOR GUIDE





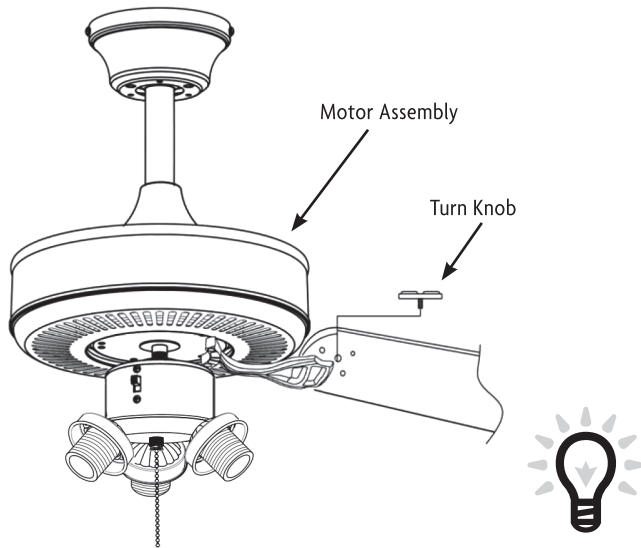
	Black wire
	Blue wire
	Green wire
	White wire

Figure 11

Fold the connected wires (*see figure 11*) and push them up inside the electrical junction box with the **BLACK** and **BLUE** wires to one side and the **WHITE** and **GREEN** to the other side. Make sure the wire nuts do not come loose during this operation.

STEP 5: FAN BLADE AND BLADE ARM ASSEMBLY



Most Classique fans are supplied with a reversible blade finish. When you attach the fan blades, ensure that your preferred finish is oriented downward.

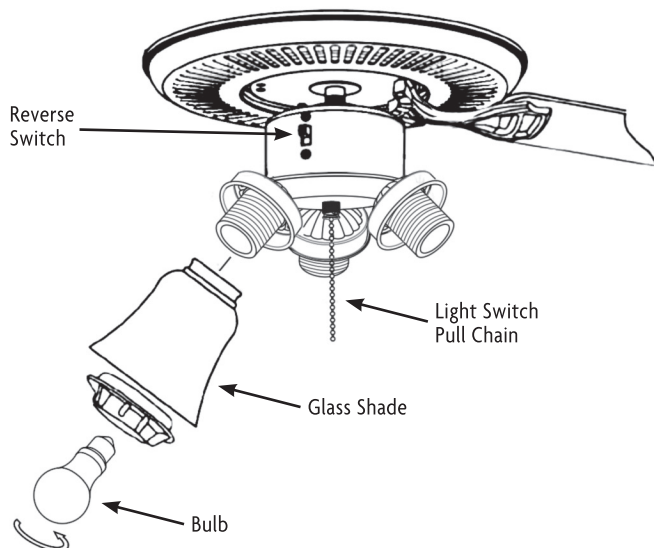
Attach each fan blade to a blade arm with turn knob (*see figure 12*).

Take care not to bend the blade arms during installation. This will cause your fan to wobble while running.

Try mounting the blades on opposing sides of the motor face, This will help keep the fan more level during blade installation.

Figure 12

STEP 6: INSTALLING GLASS SHADE AND BULBS



Place glass shades onto light fixture, secure with socket ring. **DO NOT over tighten** (*see figure 13*).

Twist bulbs into socket, **DO NOT over tighten**.

Slide glass shade over sockets and tighten set screws until snug to glass.

Install 9.5watt A19 LED bulbs.

Figure 13

STEP 7: FINAL CHECKS

Check all set screws and connections are properly in place and tight.

Check blade clearance and rotation.

Attach the decorative pull chain tassel(s) to the switch housing and light fixture.

Your new Classique ceiling fan is now ready for use! Reset your circuit breaker and restore power to the circuit. See the **Operation Instructions** below to review the function of each control on your fan.

OPERATION INSTRUCTIONS

The pull chain located on the switch housing controls the speed of your fan. From when the fan is OFF, pull the chain once for HIGH speed, twice for MEDIUM speed, three times for LOW speed and fourth time to turn it off again.

The light fixture pull chain located on the bottom of the light fixture turns your light kit ON or OFF.

The slide switch located on the switch housing controls the direction of blade rotation. The DOWN position sets the blades in FORWARD rotation (air moves DOWN). The UP position sets the blades in REVERSE rotation (air moves UP).

# OF PULLS	FAN SPEED
1X.....	HIGH
2X.....	MEDIUM
3X.....	LOW
4X	OFF

SWITCH POSITION	AIR DIRECTION
RIGHT.....	FORWARD/DOWN
LEFT	REVERSE/UP

MAINTENANCE

Your fan requires very little maintenance. **DO NOT USE CLEANING AGENTS ON YOUR FAN.** Cleaning of the housing should be done with a **damp soft cloth**. On the blades, use **a duster or dry cloth** because any moisture could cause the blades to warp.

Conforms To D.O.E. EPACK Regulation
Limited Lifetime Warranty Applies To Fan Motor Only

OPTIONAL WIRING DIAGRAMS



IMPORTANT NOTE: ONLY USE AN OPTIONAL WALL SWITCH THAT HAS BEEN DESIGNED FOR USE WITH CEILING FANS

Figure 14 illustrates the wiring used to control the fan with a wall switch plus an optional light fixture controlled at the fixture.

Your dealer carries a number of different types of Classique wall switches that have been designed and tested for use with our products. To obtain the best performance electrical components should be matched for output, for that reason, we only recommend the use of Classique products.

If you elect to control the motor of your ceiling fan from a wall switch, remember that the wall switch will only turn your fan ON or OFF. The speed must be adjusted at the fan.

If you elect to control the speed of your ceiling fan from a wall switch, YOU MUST set the speed switch on the ceiling fan to HIGH speed and leave it at that setting.

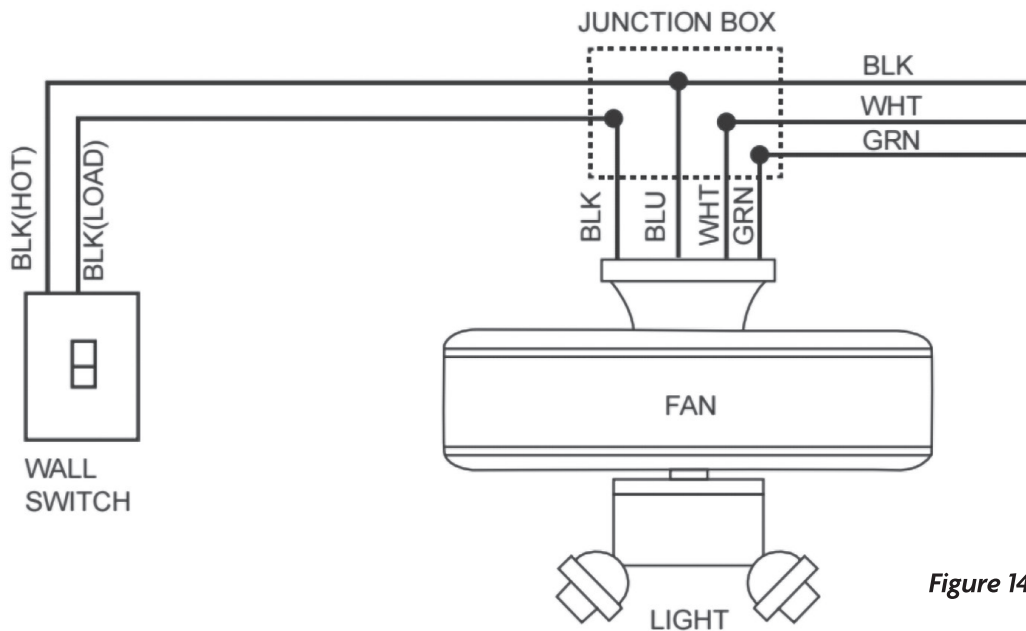


Figure 14

Fan controlled with wall switch and light controlled at fan

OPTIONAL WIRING DIAGRAMS



IMPORTANT NOTE: ONLY USE AN OPTIONAL WALL SWITCH THAT HAS BEEN DESIGNED FOR USE WITH CEILING FANS

Figure 16 illustrates the wiring used to control the fan and optional light fixture with separate wall switches.

Your dealer carries a number of different types of Classique wall switches that have been designed and tested for use with our products. To obtain the best performance electrical components should be matched for output, for that reason, we only recommend the use of Classique products.

If you elect to control the motor of your ceiling fan from a wall switch, remember that the wall switch will only turn your fan ON or OFF. The speed must be adjusted at the fan.

If you elect to control the speed of your ceiling fan from a wall switch, YOU MUST set the speed switch on the ceiling fan to HIGH speed and leave it at that setting.

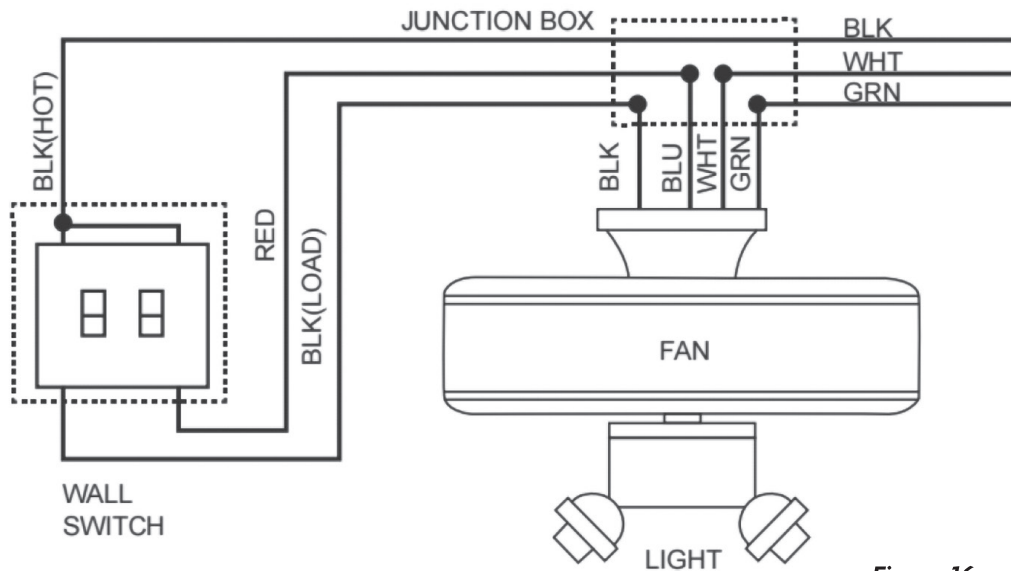


Figure 16

Fan and lights controlled by wall switch or switches



For more information,
visit us at www.wagonway.com