



MODEL NUMBER:
CF-521014-LED-10
CF-521014-LED-20
CF-521014-LED-30
CF-521014-LED-40



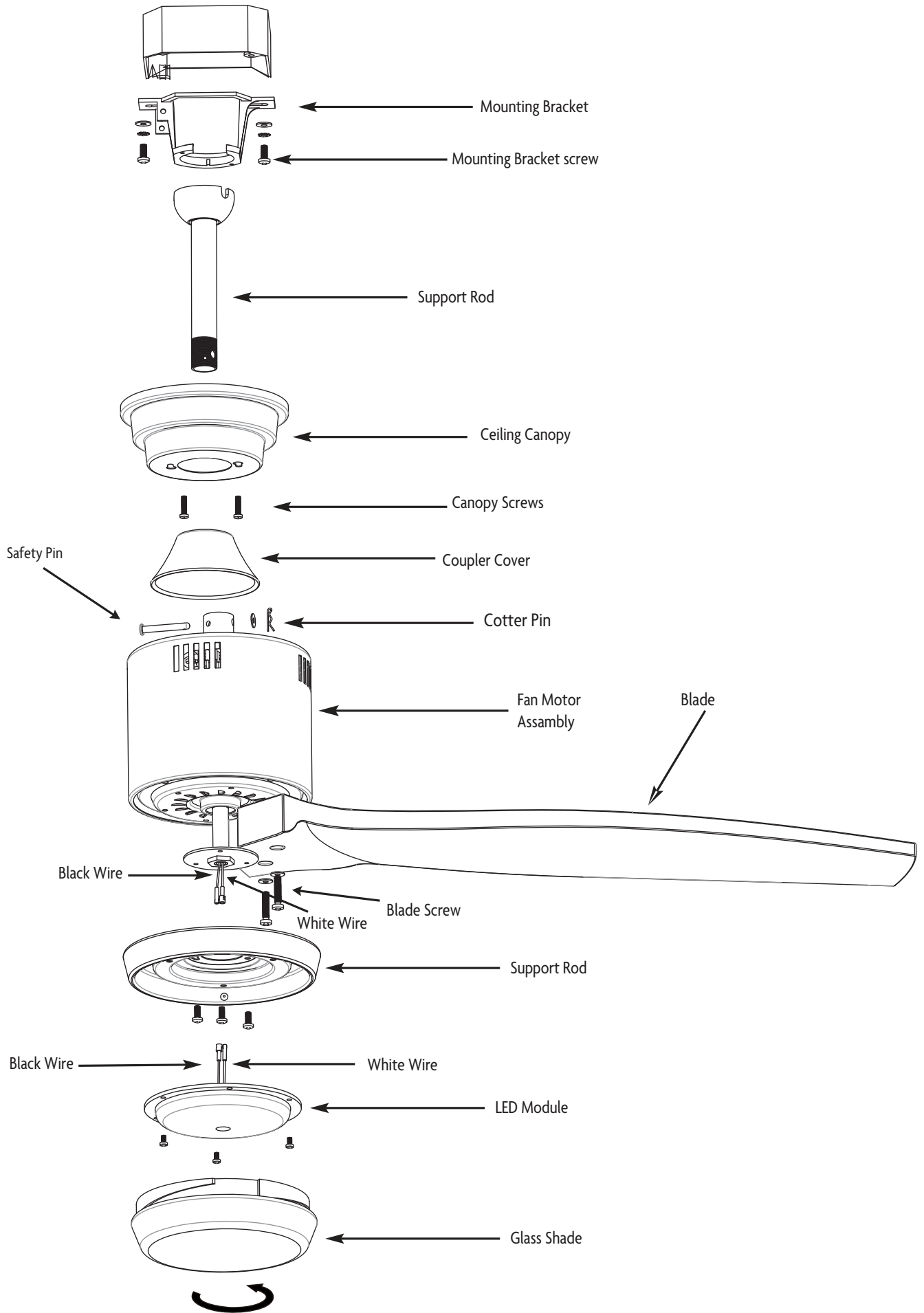
52 in. Nuwave Ceiling Fan

Owners Manual and Installation Instructions

- 52 in. Sweep 3 ABS Blades
- 153 mm X 18 mm Silicon Steel Motor
- 13 degree Blade Pitch
- Triple Capacitor, Dry Location
- Remote Control
- 19 Watt Soft-White Dimmable LED Light
- Compliant with DOE and CEC Energy Efficiency Regulations
- Limited Lifetime Warranty (Fan Motor Only)
- Modern Style

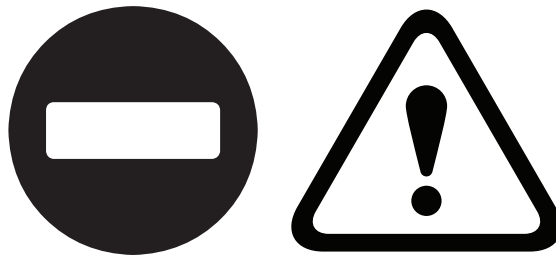


WARNING: This product can expose you to chemicals including lead, which is known to the state of California to cause cancer and birth defects or other reproductive harm.
For more information go to www.P65Warnings.ca.gov.



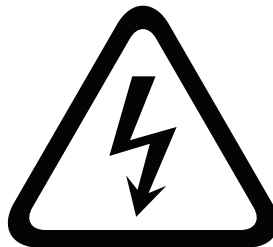
READ AND SAVE THESE INSTRUCTIONS

Before beginning installation of your new Nuwave ceiling fan, read and follow these safety precautions. If you are not familiar with national and local electrical codes and basic electrical wiring procedures, we recommend that you have a qualified electrician install your new ceiling fan.



WARNING:

To avoid electrical shock turn off power at the fuse or breaker box.



Before you begin, **TURN OFF THE ELECTRICITY.** Determine which circuit your new fan will be using and remove the fuse or turn off the circuit breaker at the main electrical panel.

READ AND SAVE THESE INSTRUCTIONS



Make sure that all wiring conforms to national and local electrical codes. If you are in question, obtain a copy of the codes and wire the fan accordingly. Never leave bare wires uncovered (*wire connection*), use wire nuts to cap all connections. **Plastic electrical tape is not recommended.**



When working with electricity, never take short cuts. Follow the code in every respect. Basic requirements for a ceiling fan installed with lights are, **120 volts AC-60Hz, on a grounded circuit with a 15 amp breaker or fuse.** Make sure that your electrical system and choice of location meet these requirements.



If the location where you plan to install your fan does not already have an electrical outlet, **hire a licensed electrician** to run the wiring and install an outlet box designed for ceiling fans or heavy fixtures. The outlet box should be able to support a minimum moving weight of 50 pounds and marked "Acceptable for Fan Support." **Plastic outlet boxes are not recommended for ceiling fan installation.**



If you plan to use an existing electrical location, check to **make sure that the outlet box is not PLASTIC**, that it is securely attached and able to **support at least 50 pounds of moving weight** and marked "Acceptable for Fan Support". If you have any questions, outlet boxes and support systems for ceiling fans are available at most hardware and do-it-yourself centers. In most cases, your Nuwave dealer will have all the necessary products for the proper and safe installation of your ceiling fan.



The location you choose should have a **minimum clearance of 20 inches** from any wall to the blade tip at any point in its rotation and a **minimum of 7 feet** from blade level to floor and **10 inches** from the blades to ceiling.

This ceiling fan was not designed for installation in any location where it might be exposed to moisture or high humidity. Installation in this type of location could be **UNSAFE**, will most likely damage the fan and its finish, and will **VOID YOUR WARRANTY.**

Every effort has been made to provide you with proper instructions for the safe installation of this ceiling fan. You could however, encounter situations or problems not covered in this manual. Should this occur, please refer to a do-it-yourself wiring handbook or hire a qualified electrician to install your fan.

Never attach the blades to your ceiling fan before the fan body is properly mounted on the ceiling.

Lubrication of your new ceiling fan is not necessary. The ball bearings have been adequately charged with grease and permanently sealed at the factory so that, under normal conditions, further attention is not necessary.



To reduce the risk of fire, electrical shock, or personal injury, mount this fan to an outlet box marked “Acceptable for Fan Support of 22.7 kg (50 lbs)” or less and use Mounting Screws provided with the outlet box.

CAUTION: Install the primary mounting means and use only the hardware provided with the fan.



To reduce the risk of personal injury take care not to bend the blade brackets when installing the brackets, balancing the blades, or clearing the fan. Be careful not to insert foreign objects in between rotating fan blades.



To reduce the risk of fire or electrical shock, do not use this fan with any solid-state speed control device.



The important safeguards and instructions appearing in this manual are not meant to cover all possible conditions and situations that may occur. It must be understood that common sense, caution and careful attention to detail are factors which cannot be built into this product. These factors must be supplied by the person or persons installing, caring for, and operating the unit.



These instructions are designed for a number of similar but different ceiling fans. As you proceed, some steps may or may not apply to the fan you purchased. Compare each step or optional procedure to your fan and proceed accordingly.

STEP 1: INSTALL MOUNTING BRACKET

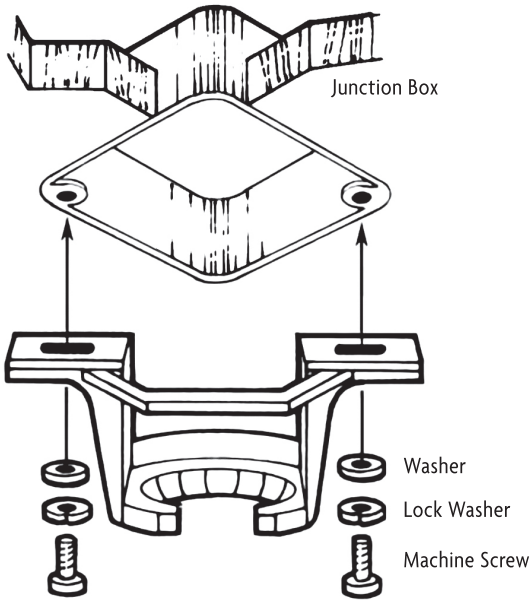


Figure 1

Install the mounting bracket onto the electrical junction box in the ceiling using 2 machine screws, 2 washers and 2 lock washers (*see Figure 1*).

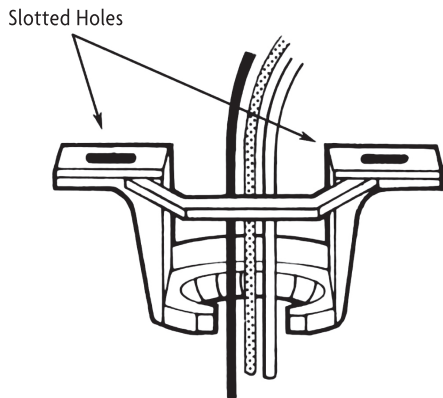


Figure 2

The mounting bracket has slotted holes to enable it to move sideways for proper alignment. Make sure the mounting bracket is centered over the electrical junction box and that it is securely attached (*see Figure 2*).

NO MOVEMENT SHOULD OCCUR BETWEEN THE MOUNTING BRACKET AND THE ELECTRICAL JUNCTION BOX.

Pull the electrical wires in the junction box down and through the mounting bracket.

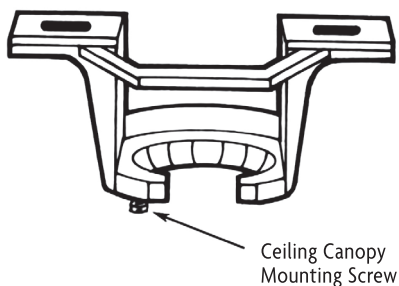


Figure 3

Loosen the 2 canopy mounting screws on the downside face of the mounting bracket. Back them out about half way. This will allow for easier installation of the ceiling canopy later (*see Figure 3*).

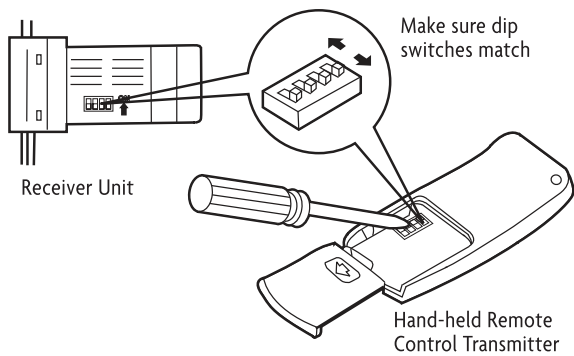


Figure 4

Locate the Hand-held Remote Control Transmitter and the Receiver Unit. These two items each have a block of dip switches inside them. Make sure the switches in both units are aligned exactly the same way. This system will not function properly unless all switches are set the same. (see Figure 4).

STEP 2: INSTALL THE RECEIVING UNIT

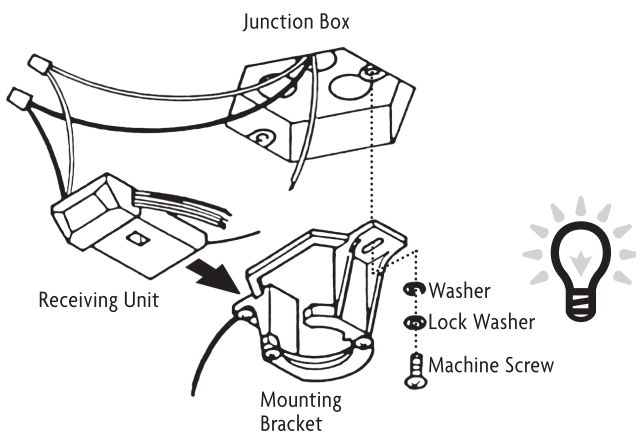


Figure 5

Attach the **WHITE** wire from the junction box to the **WHITE** wire from the receiving unit.

Attach the **BLACK** wire from the junction box to the **BLACK** wire from the receiving unit. (see Figure 5)

Note: Make sure and use wire nuts on these connections. **DO NOT USE PLASTIC TAPE.**

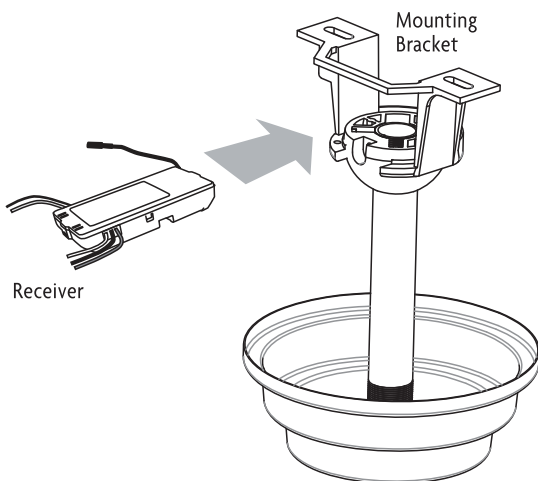


Figure 6

Insert the receiver into the mounting bracket with the flat side of the receiver facing the ceiling (see Figure 6).

STEP 3: ATTACH THE SUPPORT ASSEMBLY



If you are using a support rod other than the one supplied with your fan, remove the half ball from the support assembly and attach it to the other support rod now. Make sure to tighten the set screw and insert the safety pin.

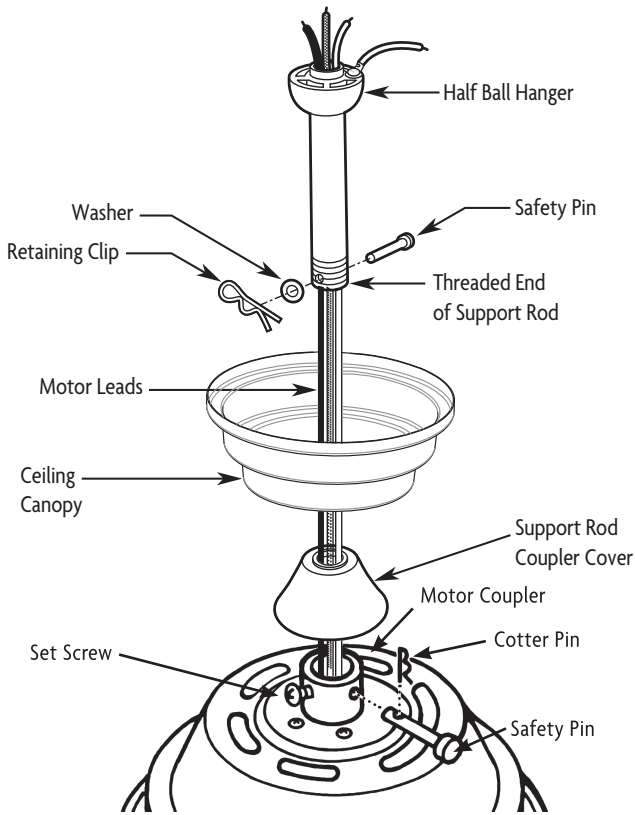


Figure 7

Loosen the 2 set screws in the support rod coupler until the screw tip clears the inside of the channel.

Remove and save the safety pin and washer on the end of the support rod assembly.

Slide the ceiling canopy onto the support rod, followed by the support rod coupler cover (*see Figure 7*).

Feed the electrical wires from the fan housing through the support rod.

Thread the support rod into the support rod coupler until the safety pin can be inserted through the hole in both the rod and coupler

Insert the safety pin through the hole in the support rod coupler and support rod then attach washer into safety pin and the retaining clip on the other side.

Tighten both set screws and safety screw on the support rod coupler. (*see Figure 7*).

STEP 4: HANGING THE FAN BODY

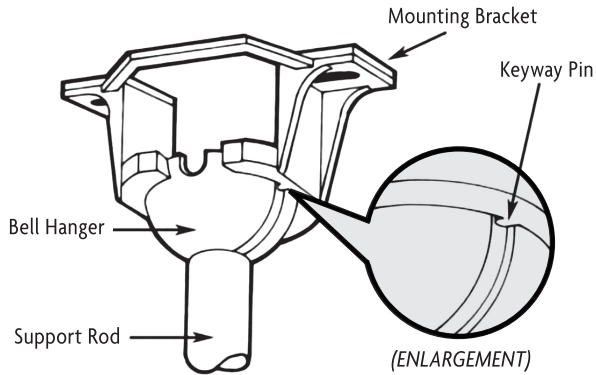


Figure 8

Notice the half ball on the end of the support rod is grooved down one side (*see Figure 8*). This keyway fits over the small keyway pin on the inside of the mounting bracket and keeps the ceiling fan from spinning on the mounting bracket.

Using your step ladder, lift the fan and place the half ball in the center of the mounting bracket with the keyway pin inserted into the keyway on the ball.

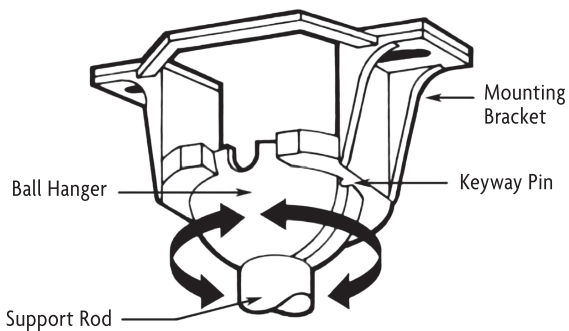


Figure 9

Turn the fan left and right slightly to make sure it is seated on the bracket with the keyway pin in the keyway (*see Figure 9*).

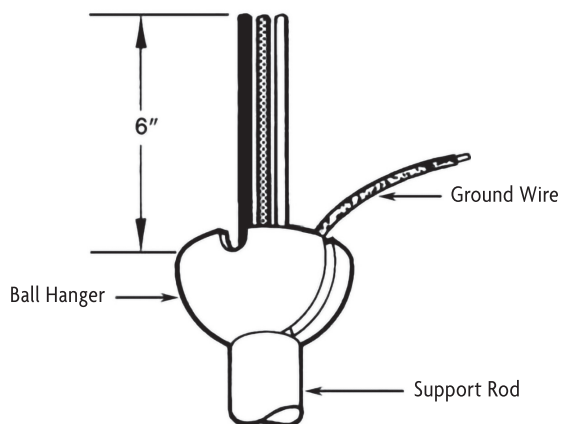
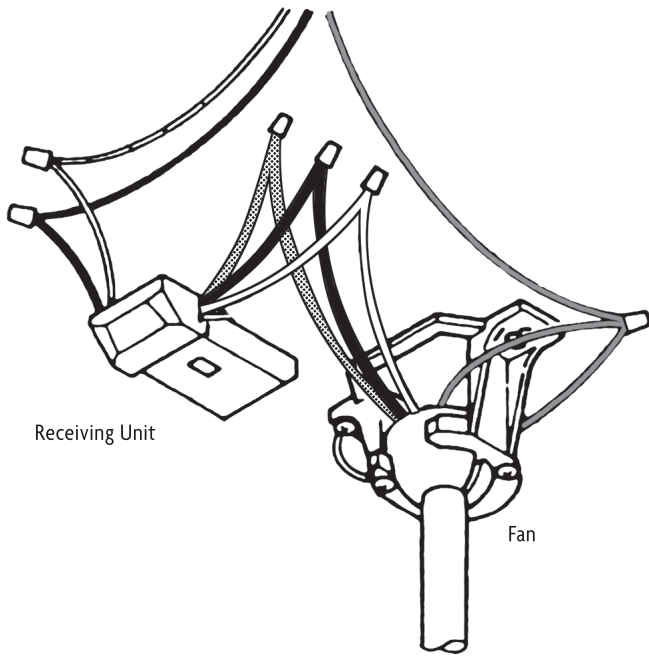


Figure 10

Trim the lead wires, leaving about six inches of each wire extending from the support rod (*see Figure 10*).

STEP 5: MAKING THE ELECTRICAL CONNECTIONS



Make electrical connections from the fan to receiving unit in mounting bracket (*see Figure 11*).

Attach the **WHITE** wire from the fan to the **WHITE** wire from receiving unit.

Attach the **BLACK** wire from the fan to the **BLACK** wire from receiving unit.

Attach the **BLUE** wire from the fan to the **BLUE** wire from receiving unit.

Attach the **GREEN** wire (*connected to the hanging ball*) to the **GROUND** wire in the junction box. The **GROUND** wire is usually a bare copper wire without plastic insulation. It could also be covered in green plastic insulation

Position the receiving unit inside of the mounting bracket and push the wires into the mounting

WIRE COLOR GUIDE





	Black wire
	Blue wire
	Green/ground wire
	White wire

Figure 11

STEP 6: FAN BLADE AND BLADE ARM ASSEMBLY

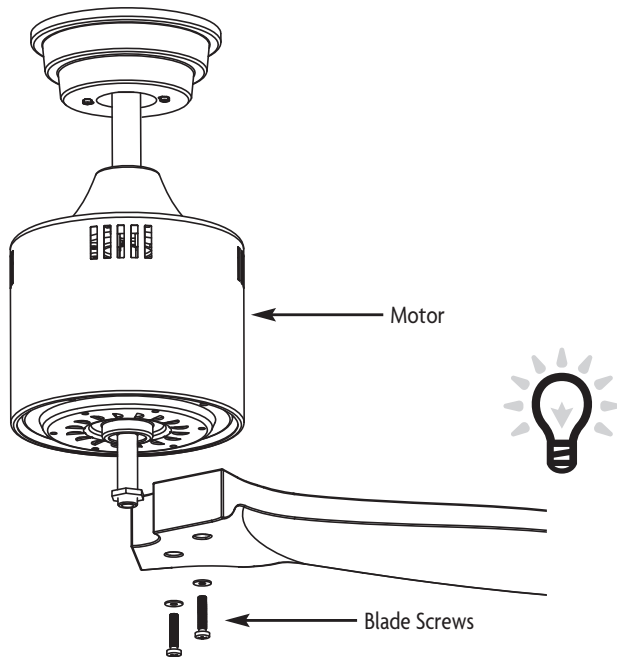


Figure 12

Remove the large screws on the face of the motor.

Discard any rubber blocks attached to these screws. *(The rubber blocks are installed at the factory to stabilize the motor during shipment.)*

Attach each blade to the motor face using the blade screws *(see Figure 12)*.

Try mounting the blades on opposing sides of the motor face first. This will help keep the fan level during blade installation.

STEP 7: ATTACH LIGHT MOUNTING PLATE

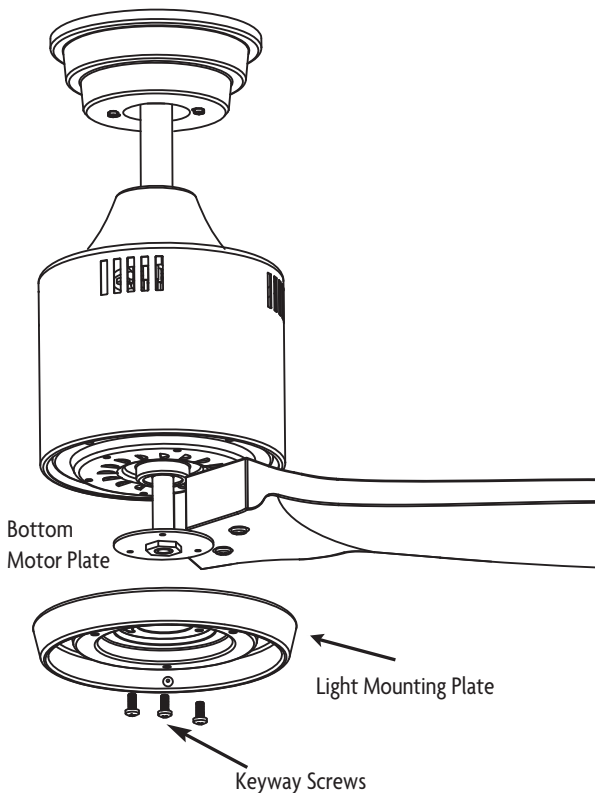


Figure 13

Place the Bottom Motor Plate onto fan and rotate until secure *(see Figure 13)*.

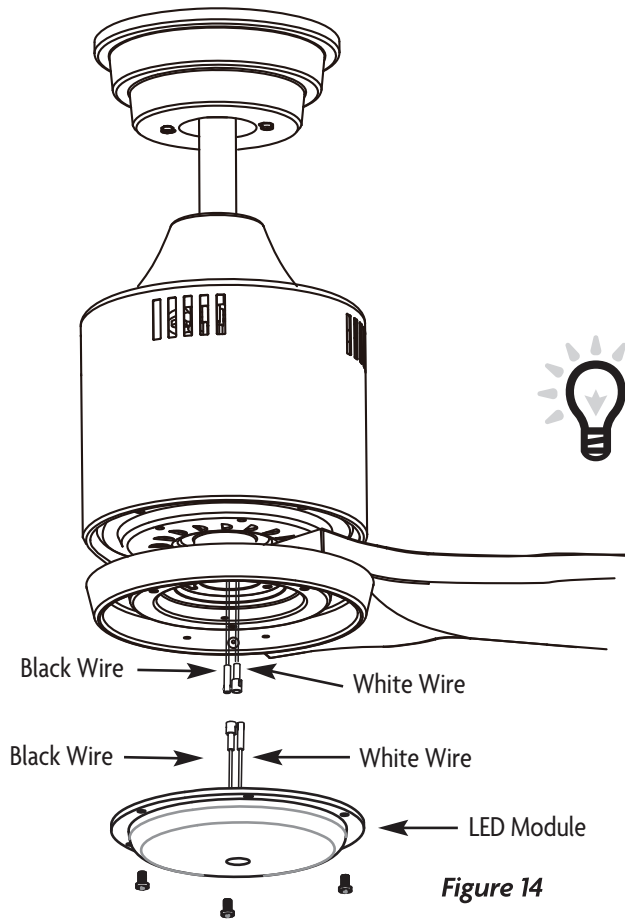
Place the Light Mounting Plate onto fan.

Line up the three keyway holes with keyway screws and press until screw heads pop through keyway holes.

Turn counter-clockwise to lock into place.

Insert single screw and tighten.

STEP 8: INSTALL LED MODULE



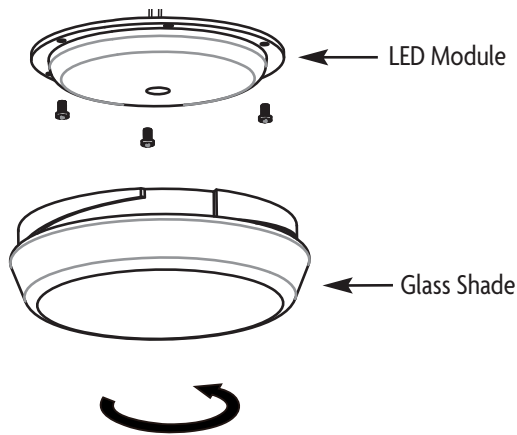
Loosen the three screws on the LED module (*see Figure 14*).

Connect **WHITE** wire to **WHITE** wire, and **BLACK** wire to **BLACK** wire using quick connectors. Press together firmly.

Place LED module onto fan, line up the 3 holes, and tighten all 3 screws securely (*see Figure 14*).

Each of the above connections should be made as tight as possible using the proper size plastic wire nuts. Plastic electrical tape is not recommended.

STEP 9: INSTALLING GLASS SHADES



Place glass shade onto light fixture and rotate until secure. (*see Figure 15*).

STEP 10: FINAL CHECKS

Check all set screws and connections are properly in place and tight.

Check blade clearance and rotation.

USE OF THE REMOTE CONTROL

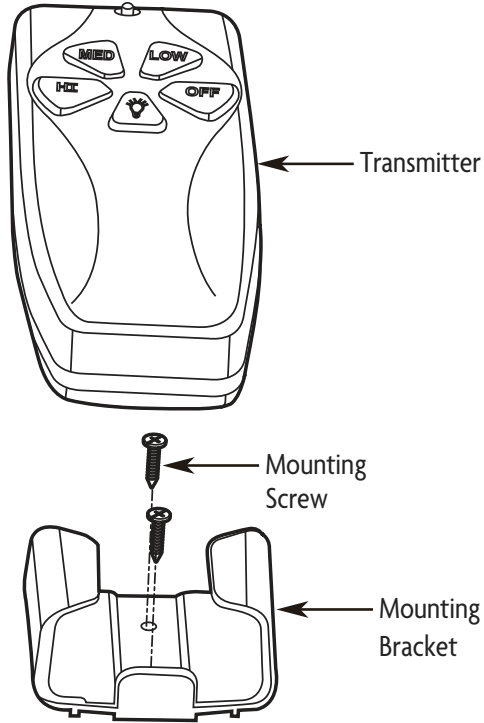


Figure 16

The Remote Control Transmitter comes with a bracket that can be mounted in any place you choose.

Attach the bracket with the two screws provided.

The Remote Control Transmitter uses a 9-Volt battery (*not included*). Remove the panel on the back of the Remote Control Transmitter to install the battery. Replace the panel before use (*see Figure 16*).


REMOTE CONTROL FUNCTIONS

SPEED:

Press HI, MED, or LOW button to start the fan.

Press OFF to stop the fan. (*see Figure 17*).

LIGHT:

Press  to turns the light on or off.

Press and hold  for dimming feature.

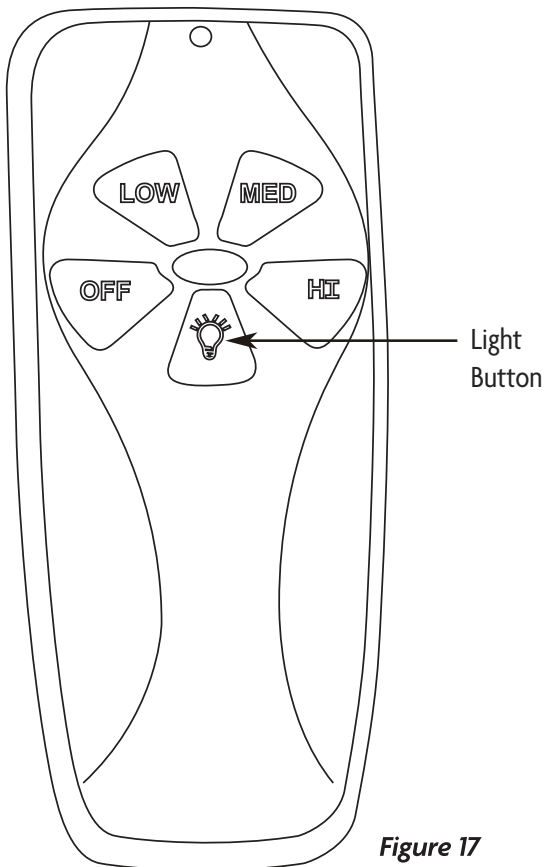


Figure 17

OPTIONAL WALL CONTROL SET UP AND INSTALLATION



CAUTION: TO AVOID POSSIBLE ELECTRICAL SHOCK, BE SURE THE ELECTRICITY IS TURNED OFF AT THE CIRCUIT BREAKER PANEL OR FUSE BOX BEFORE WIRING.



TO AVOID THE RISK OF FIRE, ELECTRICAL SHOCK AND SERIOUS PERSONAL INJURY, READ THESE INSTRUCTIONS CAREFULLY BEFORE ATTEMPTING TO INSTALL THIS ELECTRICAL DEVICE. PLEASE FOLLOW THESE INSTRUCTIONS CAREFULLY.



Installation of this control requires that a two-conductor wire with ground wire be run between the control wall box and the ceiling fan outlet box.



DO NOT MOUNT THIS SPEED CONTROL NEAR HEAT PRODUCING EQUIPMENT



ALL WIRING MUST CONFORM TO NATIONAL AND LOCAL ELECTRICAL CODES. IF YOU FEEL YOU DO NOT HAVE ENOUGH ELECTRICAL KNOWLEDGE, HAVE A LICENSED ELECTRICIAN INSTALL THIS CONTROL

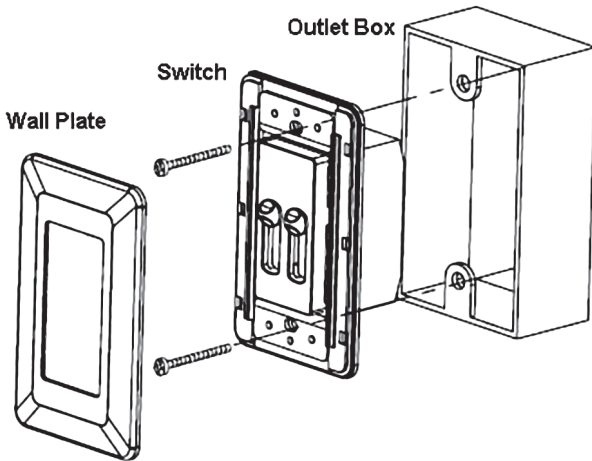
This control is designed to operate only one ceiling fan with its attached light fixture.

The speed control for the fan is rated for 1.25 amps at 120 volts. To avoid erratic speeds and possible damage to your fan, do not use this control past the fan's highest speed setting.

The light dimmer is rated for tungsten light bulbs no to exceed a total of 400 watts.

STEP A:

Figure A



Disconnect the power and remove the existing wall plate and switch (*see Figure A*).

STEP B:

Set both slide bars on the control to the off position (*see Figure B*).

STEP C:

With note to where your power supply is located in reference to the wall control, make the wire connections as shown in *Figures B & C*, and secure them with wire nuts (*see Figures B & C*).

Connect the first **BLACK** wire from the power supply to the **BLACK/WHITE** wire from the fan.

Connect the **BLUE** wire from the fan to the **BLUE** wire from the control.

Connect the other **BLACK** wire from the fan to the **BLACK** wire from the control.

Connect the **GROUND** wire from the power supply to the **GREEN** wire from the fan.

STEP D:

Attach the speed control to the wall outlet box using the two supplied screws (*see Figure A*). Attach the wall face plate to the front of the control.

Using the fan's pull chains, set the fan on its highest speed setting and the light to on. These should remain in these positions permanently once the fan's wall control has been installed. Failure to do so will damage the fan and the control and could cause a fire.

You can now control the speeds of your ceiling fan and the brightness of the light fixture with the slide bars on the wall control. Turning the fan from forward to reverse must be done by the pull chain.

Figure B

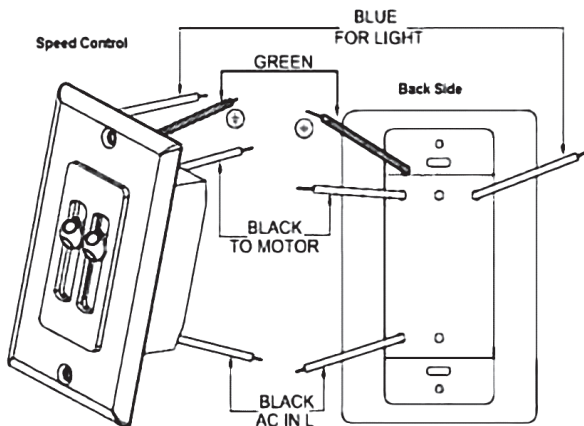
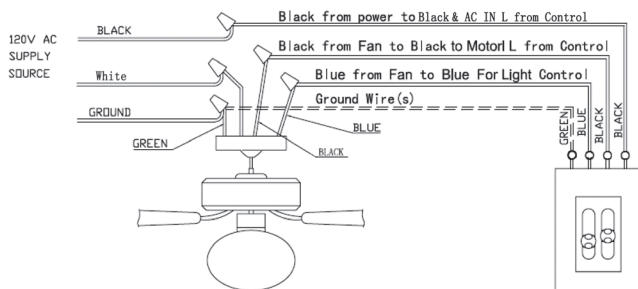


Figure C



Your new Nuwave ceiling fan is now ready for use! Reset your circuit breaker and restore power to the circuit. See the **Operation Instructions** below to review the function of each control on your fan.

OPERATION INSTRUCTIONS

The pull chain located on the switch housing controls the speed of your fan. From when the fan is OFF, pull the chain once for HIGH speed, twice for MEDIUM speed, three times for LOW speed and fourth time to turn it off again.

The light fixture pull chain located on the bottom of the light fixture turns your light kit ON or OFF.

The slide switch located on the switch housing controls the direction of blade rotation. The DOWN position sets the blades in FORWARD rotation (air moves DOWN). The UP position sets the blades in REVERSE rotation (air moves UP).

# OF PULLS	FAN SPEED
1X.....	HIGH
2X.....	MEDIUM
3X.....	LOW
4X	OFF

SWITCH POSITION	AIR DIRECTION
RIGHT.....	FORWARD/DOWN
LEFT	REVERSE/UP

MAINTENANCE

Your fan requires very little maintenance. **DO NOT USE CLEANING AGENTS ON YOUR FAN.** Cleaning of the housing should be done with a **damp soft cloth**. On the blades, use **a duster or dry cloth** because any moisture could cause the blades to warp.

Conforms To D.O.E. EPACT Regulation
Limited Lifetime Warranty Applies To Fan Motor Only



For more information,
visit us at www.wagonway.com