



MODEL NUMBER:
CF-521011-LED-10
CF-521011-LED-20
CF-521011-LED-30
CF-521011-LED-40



52 in. Tramontana Ceiling Fan

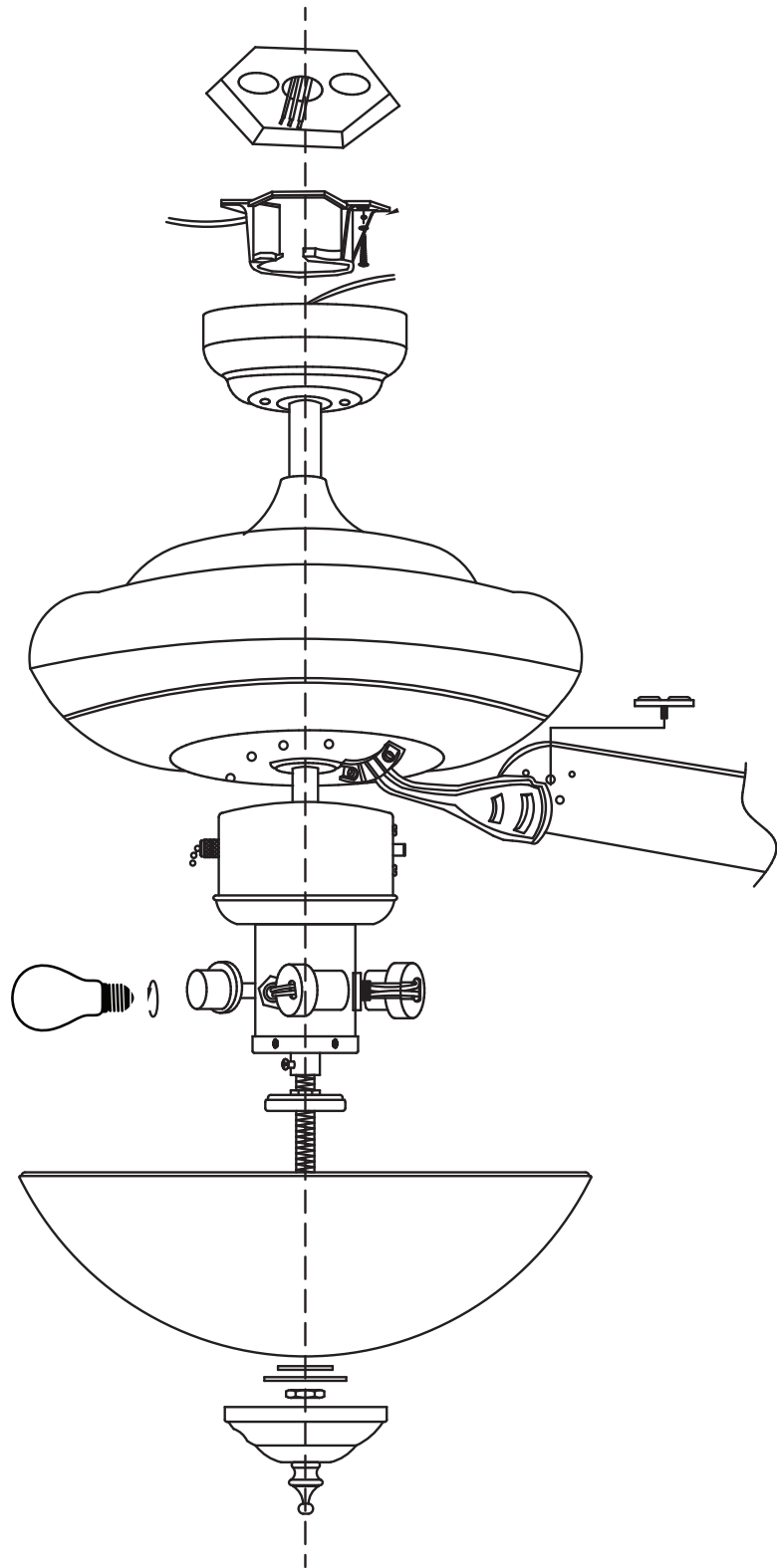
With “Quick Connect” blade installation feature.

Owners Manual and Installation Instructions

- 52 in. Sweep 5 Blades
- 153 mm X 13 mm Silicon Steel Motor
- 12 degree Blade Pitch
- Triple Capacitor, Dry Location
- Frosted White Glass Dome
- 3 LED 9 Watt Soft-White Bulbs
- Compliant with DOE and CEC Energy Efficiency Regulations
- Limited Lifetime Warranty (Fan Motor Only)
- Classic Look Ceiling Mount



WARNING: This product can expose you to chemicals including lead, which is known to the state of California to cause cancer and birth defects or other reproductive harm.
For more information go to www.P65Warnings.ca.gov.



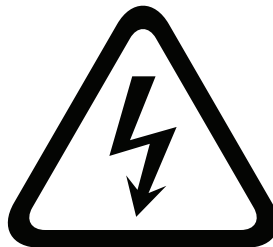
READ AND SAVE THESE INSTRUCTIONS

Before beginning installation of your new Tramontana ceiling fan, read and follow these safety precautions. If you are not familiar with national and local electrical codes and basic electrical wiring procedures, we recommend that you have a qualified electrician install your new ceiling fan.



WARNING:

To avoid electrical shock turn off power at the fuse or breaker box.



Before you begin, **TURN OFF THE ELECTRICITY.** Determine which circuit your new fan will be using and remove the fuse or turn off the circuit breaker at the main electrical panel.

READ AND SAVE THESE INSTRUCTIONS



Make sure that all wiring conforms to national and local electrical codes. If you are in question, obtain a copy of the codes and wire the fan accordingly. Never leave bare wires uncovered (*wire connection*), use wire nuts to cap all connections. **Plastic electrical tape is not recommended.**



When working with electricity, never take short cuts. Follow the code in every respect. Basic requirements for a ceiling fan installed with lights are, **120 volts AC-60Hz, on a grounded circuit with a 15 amp breaker or fuse.** Make sure that your electrical system and choice of location meet these requirements.



If the location where you plan to install your fan does not already have an electrical outlet, **hire a licensed electrician** to run the wiring and install an outlet box designed for ceiling fans or heavy fixtures. The outlet box should be able to support a minimum moving weight of 50 pounds and marked "Acceptable for Fan Support." **Plastic outlet boxes are not recommended for ceiling fan installation.**



If you plan to use an existing electrical location, check to **make sure that the outlet box is not PLASTIC**, that it is securely attached and able to **support at least 50 pounds of moving weight** and marked "Acceptable for Fan Support". If you have any questions, outlet boxes and support systems for ceiling fans are available at most hardware and do-it-yourself centers. In most cases, your Tramontana dealer will have all the necessary products for the proper and safe installation of your ceiling fan.



The location you choose should have a **minimum clearance of 20 inches** from any wall to the blade tip at any point in its rotation and a **minimum of 7 feet** from blade level to floor and **10 inches** from the blades to ceiling.

This ceiling fan was not designed for installation in any location where it might be exposed to moisture or high humidity. Installation in this type of location could be **UNSAFE**, will most likely damage the fan and its finish, and will **VOID YOUR WARRANTY.**

Every effort has been made to provide you with proper instructions for the safe installation of this ceiling fan. You could however, encounter situations or problems not covered in this manual. Should this occur, please refer to a do-it-yourself wiring handbook or hire a qualified electrician to install your fan.

Never attach the blades to your ceiling fan before the fan body is properly mounted on the ceiling.

Lubrication of your new ceiling fan is not necessary. The ball bearings have been adequately charged with grease and permanently sealed at the factory so that, under normal conditions, further attention is not necessary.



To reduce the risk of fire, electrical shock, or personal injury, mount this fan to an outlet box marked “Acceptable for Fan Support of 22.7 kg (50 lbs)” or less and use Mounting Screws provided with the outlet box.

CAUTION: Install the primary mounting means and use only the hardware provided with the fan.



To reduce the risk of personal injury take care not to bend the blade brackets when installing the brackets, balancing the blades, or clearing the fan. Be careful not to insert foreign objects in between rotating fan blades.



To reduce the risk of fire or electrical shock, do not use this fan with any solid-state speed control device.



The important safeguards and instructions appearing in this manual are not meant to cover all possible conditions and situations that may occur. It must be understood that common sense, caution and careful attention to detail are factors which cannot be built into this product. These factors must be supplied by the person or persons installing, caring for, and operating the unit.



These instructions are designed for a number of similar but different ceiling fans. As you proceed, some steps may or may not apply to the fan you purchased. Compare each step or optional procedure to your fan and proceed accordingly.

STEP 1: INSTALL MOUNTING BRACKET

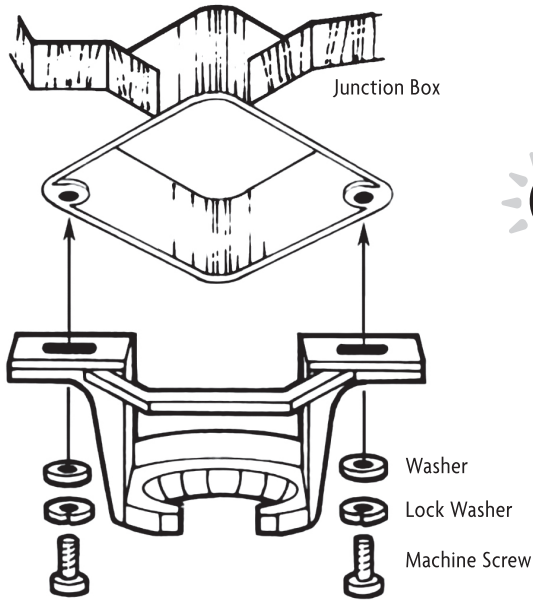


Figure 1

Install the mounting bracket onto the electrical junction box in the ceiling using 2 machine screws, 2 washers and 2 lock washers (*see Figure 1*).



Note: You may need a longer downrod to maintain proper blade clearance when installing on a steep, sloped ceiling.

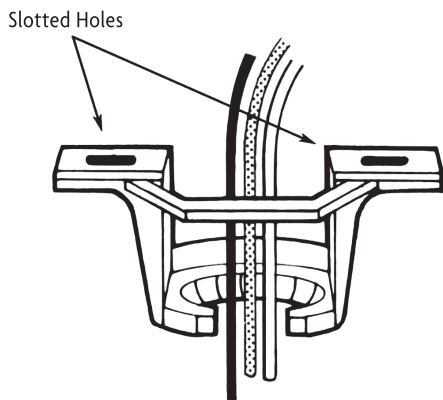


Figure 2

The mounting bracket has slotted holes to enable it to move sideways for proper alignment. Make sure the mounting bracket is centered over the electrical junction box and that it is securely attached (*see Figure 2*).

NO MOVEMENT SHOULD OCCUR BETWEEN THE MOUNTING BRACKET AND THE ELECTRICAL JUNCTION BOX.

Pull the electrical wires in the junction box down and through the mounting bracket.

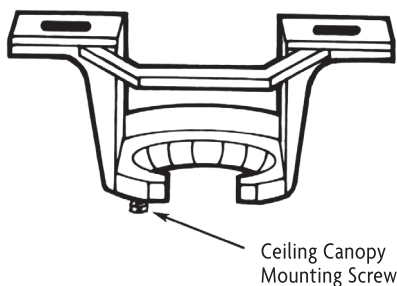


Figure 3



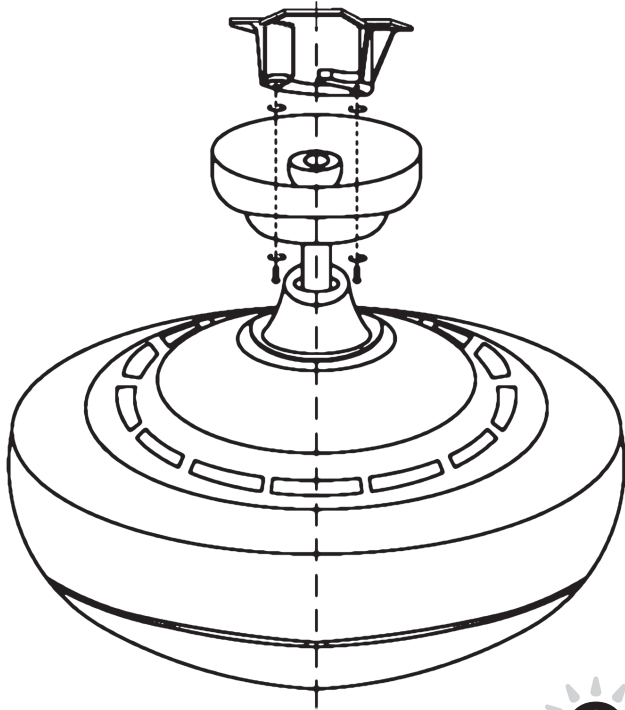
Pull the electrical wires in the junction box down through the mounting bracket, then bend them up and back out of the way. Place the black wire to one side and the white and ground wires to the other. The wires should be off to the side and up against the ceiling. This will leave the mounting bracket open and ready to receive the ceiling fan.

Loosen the 2 canopy mounting screws on the downside face of the mounting bracket. Back them out about half way. This will allow for easier installation of the ceiling canopy later (*see Figure 3*).

STEP 2: ATTACH THE SUPPORT ASSEMBLY



If you are using a support rod other than the one supplied with your fan, remove the half ball from the support assembly and attach it to the other support rod now. Make sure to tighten the set screw and insert the safety pin.



Loosen the 2 set screws in the support rod coupler until the screw tip clears the inside of the channel.

This fan is designed to be mounted as a fan (side screw) only flush mount (*see Figure 4*).

Slide the ceiling canopy up into place over the ceiling mounting bracket. The two screws on the side of the mounting bracket face should slip through the key hole slots in the canopy. Tighten both screws.



Figure 4

Depending on how deep the electrical junction box was installed in the ceiling, you might have a slight gap between it and the ceiling canopy. Junction boxes are commonly installed at different depths, so the Tramontana mounting bracket and ceiling canopy have been designed to allow for this.

STEP 3: HANGING THE FAN BODY

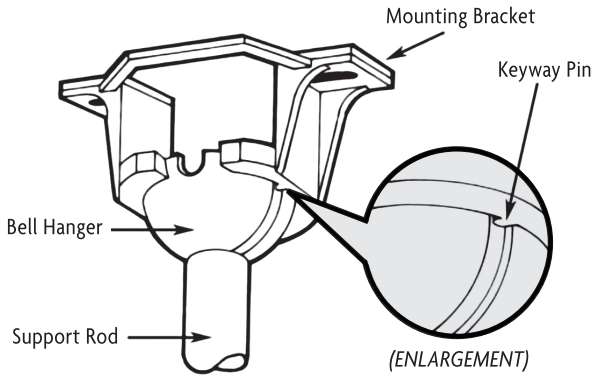


Figure 5

Notice the half ball on the end of the support rod is grooved down one side (*see Figure 5*). This keyway fits over the small keyway pin on the inside of the mounting bracket and keeps the ceiling fan from spinning on the mounting bracket.

Using your step ladder, lift the fan and place the half ball in the center of the mounting bracket with the keyway pin inserted into the keyway on the ball.

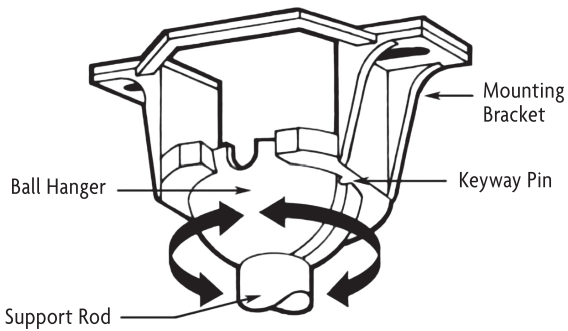


Figure 6

Turn the fan left and right slightly to make sure it is seated on the bracket with the keyway pin in the keyway (*see Figure 6*).

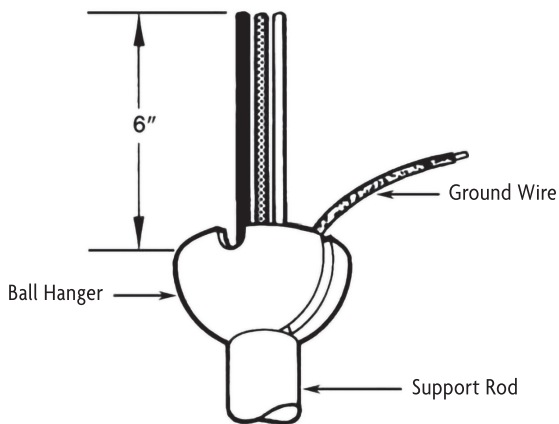


Figure 7

Trim the lead wires, leaving about six inches of each wire extending from the support rod (*see Figure 7*).

STEP 4: MAKING THE ELECTRICAL CONNECTIONS

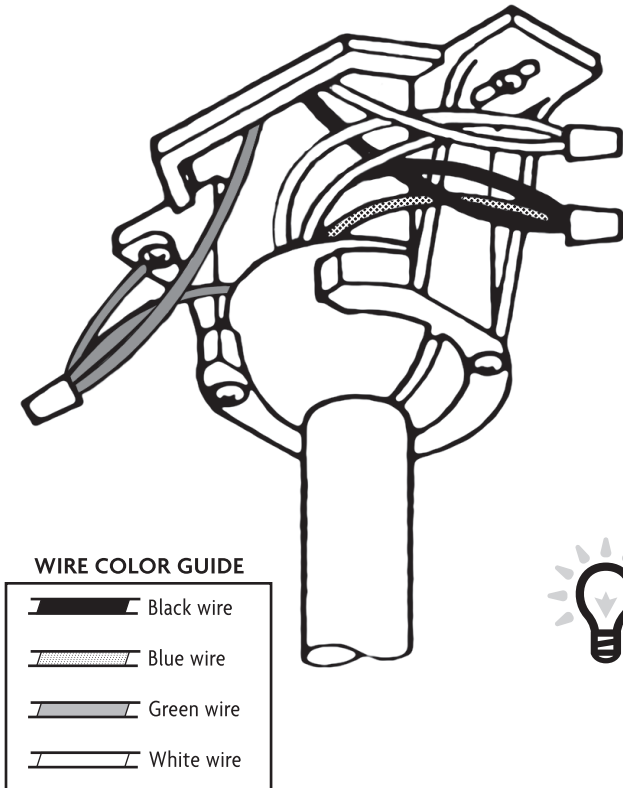


Figure 8

To wire the fan's pull chain(s) and switches, first attach the **GREEN** wire (connected to the half ball) to the **GROUND** wire in the junction box. The **GROUND** wire will be either a bare copper wire without plastic insulation, or **MAY BE** covered in green plastic insulation (see Figure 8).

Attach the **BLACK** wire and **BLUE** wire from the ceiling fan to the **BLACK** wire in the junction box.

Attach the **WHITE** wire from the ceiling fan to the **WHITE** wire in the junction box.

Each of the above connections should be made as tight as possible using the proper size plastic wire nuts. **Plastic electrical tape is not recommended for these connections.**

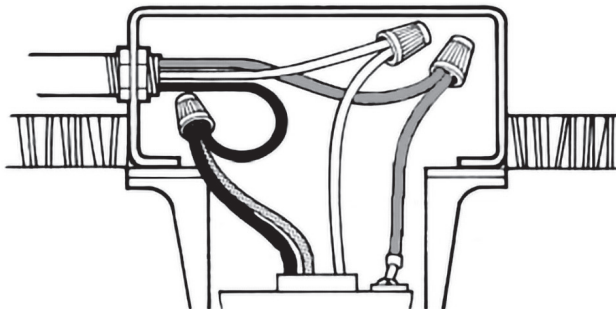
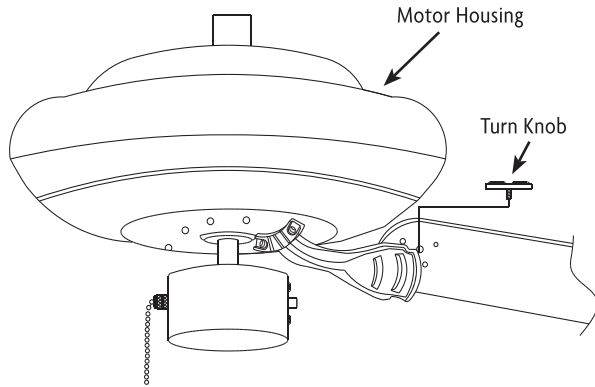


Figure 9

Fold the connected wires (see Figure 9) and push them up inside the electrical junction box with the **BLACK** and **BLUE** wires to one side and the **WHITE** and **GREEN** to the other side. Make sure the wire nuts do not come loose during this operation.

STEP 5: FAN BLADE AND BLADE ARM ASSEMBLY



Tramontana fans are supplied with a reversible blade finish. When you attach the fan blades, ensure that your preferred finish is oriented downward.

Attach each fan blade to a blade arm with turn knob (*see Figure 10*).

Take care not to bend the blade arms during installation. This will cause your fan to wobble while running.

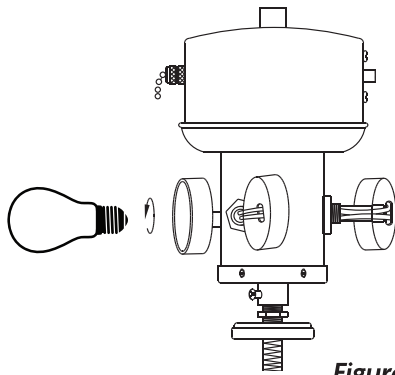


Try mounting the blades on opposing sides of the motor face. This will help keep the fan more level during blade installation.

Screws should be tightened until the screw pads are compressed. Hold the blade arm decorative side down and place the blade on top with your choice of finish facing downward.

Figure 10

STEP 6: INSTALLING LIGHTING FIXTURE



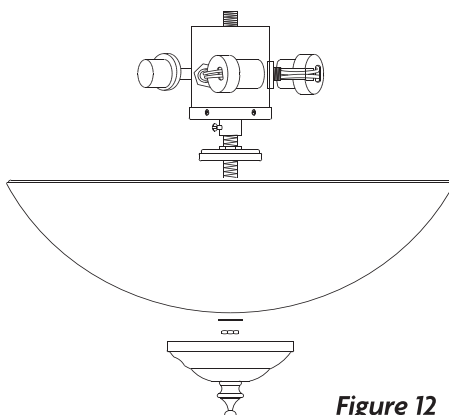
Connect **WHITE** wire to **WHITE** wire and **BLUE** wire to **BLACK** wire. Secure with wire nuts.

Remove switch housing screws. Press light kit fixture up into switch housing shell, aligning screw holes. Insert the 3 screws and tighten firmly (*see Figure 11*).

Install Medium Base LED bulbs in sockets.

Figure 11

STEP 7: INSTALLING GLASS SHADE



Slide bowl glass over the threaded nipple, followed by the glass cap, then the finial. Twist finial clockwise until snug (*see Figure 12*).

Lower chains through the hole in the bowl glass and glass cap. Attach the chain extensions.

Figure 12

STEP 8: FINAL CHECKS

Check all set screws and connections are properly in place and tight.

Check blade clearance and rotation.

Attach the decorative pull chain tassel(s) to the switch housing and light fixture.

Your new Tramontana ceiling fan is now ready for use! Reset your circuit breaker and restore power to the circuit. See the **Operation Instructions** below to review the function of each control on your fan.

OPERATION INSTRUCTIONS

The pull chain located on the switch housing controls the speed of your fan. From when the fan is OFF, pull the chain once for HIGH speed, twice for MEDIUM speed, three times for LOW speed and fourth time to turn it off again.

The slide switch located on the switch housing controls the direction of blade rotation. The RIGHT position sets the blades in FORWARD rotation (air moves DOWN). The LEFT position sets the blades in REVERSE rotation (air moves UP).

# OF PULLS	FAN SPEED
1X.....	HIGH
2X.....	MEDIUM
3X.....	LOW
4X	OFF

SWITCH POSITION	AIR DIRECTION
RIGHT.....	FORWARD/DOWN
LEFT	REVERSE/UP

MAINTENANCE

Your fan requires very little maintenance. **DO NOT USE CLEANING AGENTS ON YOUR FAN.** Cleaning of the housing should be done with a **damp soft cloth**. On the blades, use **a duster or dry cloth** because any moisture could cause the blades to warp.

Compliant with DOE and CEC Energy Efficiency Regulations
Limited Lifetime Warranty Applies To Fan Motor Only
Please visit www.wagonway.com for full warranty details.

OPTIONAL WIRING DIAGRAMS



IMPORTANT NOTE: ONLY USE AN OPTIONAL WALL SWITCH THAT HAS BEEN DESIGNED FOR USE WITH CEILING FANS

Figure 13 illustrates the wiring used to control the fan with a wall switch plus an optional light fixture controlled at the fixture.

Your dealer carries a number of different types of Tramontana wall switches that have been designed and tested for use with our products. To obtain the best performance electrical components should be matched for output, for that reason, we only recommend the use of Tramontana products.

If you elect to control the motor of your ceiling fan from a wall switch, remember that the wall switch will only turn your fan ON or OFF. The speed must be adjusted at the fan.

If you elect to control the speed of your ceiling fan from a wall switch, YOU MUST set the speed switch on the ceiling fan to HIGH speed and leave it at that setting.

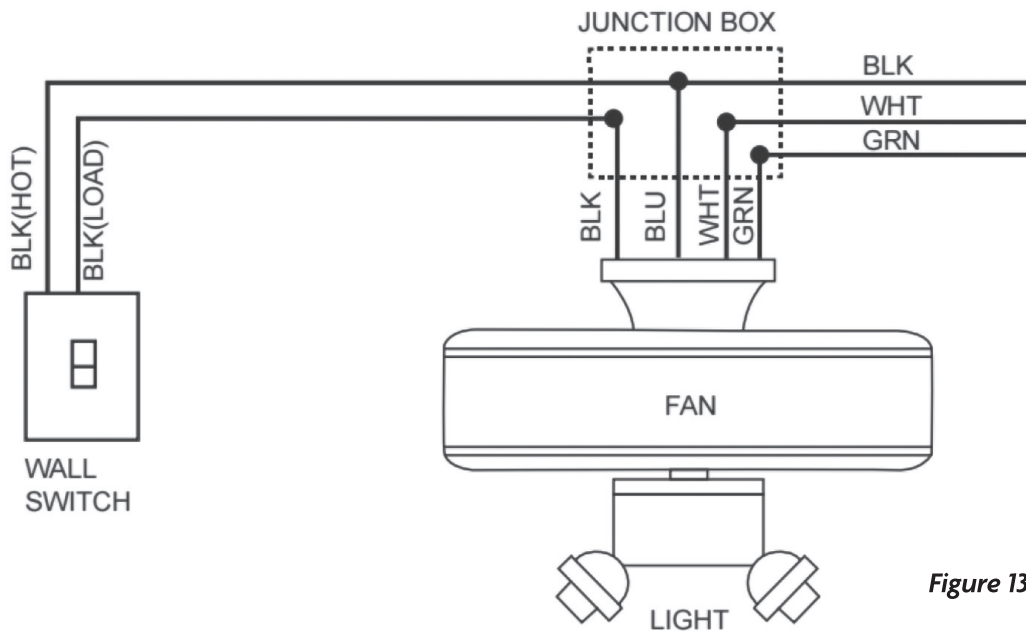


Figure 13

Fan controlled with wall switch and light controlled at fan

OPTIONAL WIRING DIAGRAMS



IMPORTANT NOTE: ONLY USE AN OPTIONAL WALL SWITCH THAT HAS BEEN DESIGNED FOR USE WITH CEILING FANS

Figure 14 illustrates the wiring used to control the fan with the pull chain on the electrical switch housing plus an optional light fixture with a wall switch

Your dealer carries a number of different types of Tramontana wall switches that have been designed and tested for use with our products. To obtain the best performance electrical components should be matched for output, for that reason, we only recommend the use of Tramontana products.

If you elect to control the motor of your ceiling fan from a wall switch, remember that the wall switch will only turn your fan ON or OFF. The speed must be adjusted at the fan.

If you elect to control the speed of your ceiling fan from a wall switch, YOU MUST set the speed switch on the ceiling fan to HIGH speed and leave it at that setting.

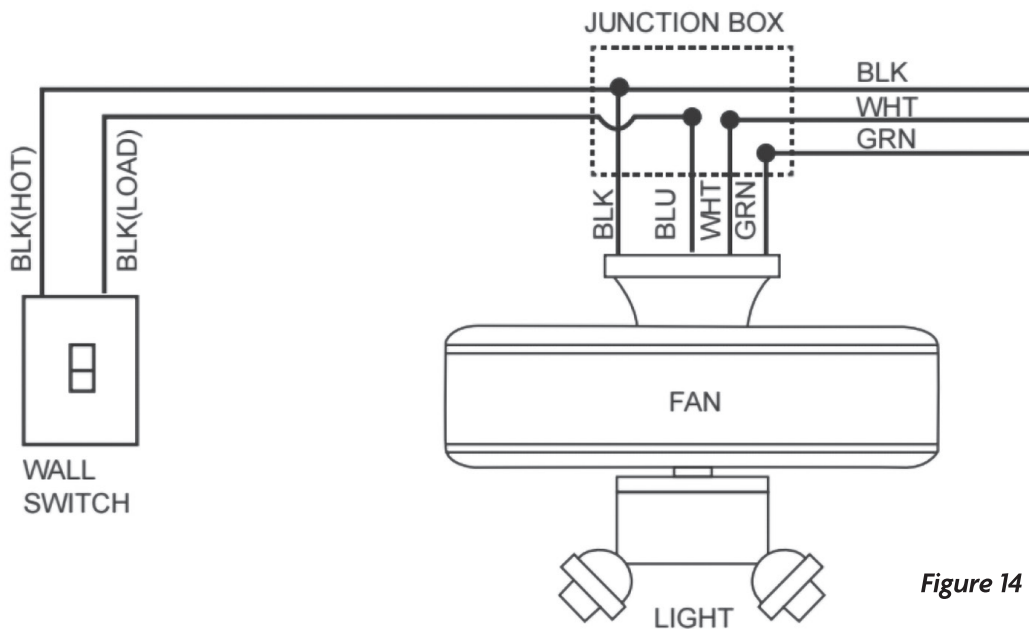


Figure 14

Fan speed controlled at fan with light controlled at wall switch

OPTIONAL WIRING DIAGRAMS



IMPORTANT NOTE: ONLY USE AN OPTIONAL WALL SWITCH THAT HAS BEEN DESIGNED FOR USE WITH CEILING FANS

Figure 15 illustrates the wiring used to control the fan and optional light fixture with separate wall switches.

Your dealer carries a number of different types of Tramontana wall switches that have been designed and tested for use with our products. To obtain the best performance electrical components should be matched for output, for that reason, we only recommend the use of Tramontana products.

If you elect to control the motor of your ceiling fan from a wall switch, remember that the wall switch will only turn your fan ON or OFF. The speed must be adjusted at the fan.

If you elect to control the speed of your ceiling fan from a wall switch, YOU MUST set the speed switch on the ceiling fan to HIGH speed and leave it at that setting.

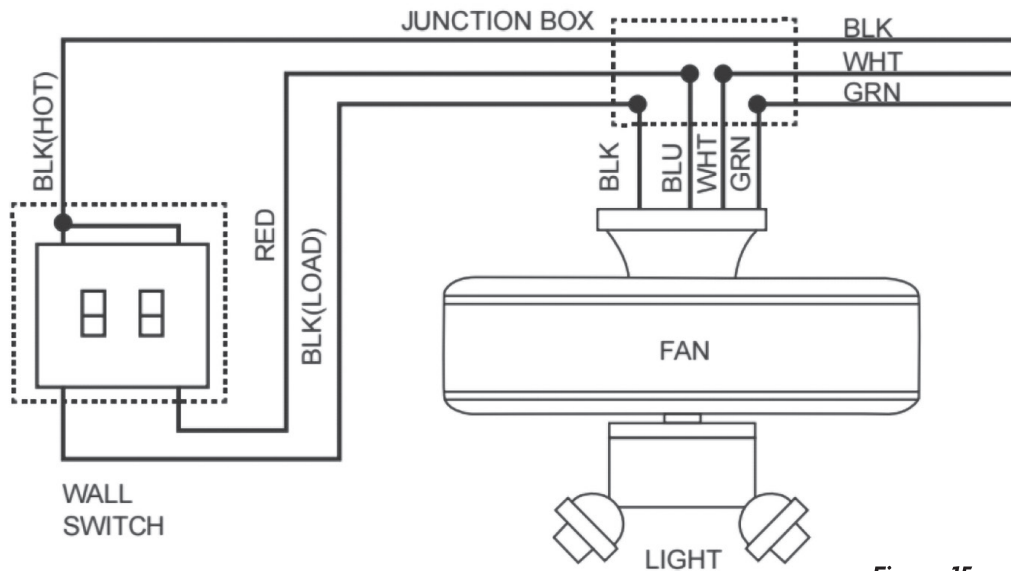


Figure 15

Fan and lights controlled by wall switch or switches



For more information,
visit us at www.wagonway.com