

20 in. Bedford 3-Light Pendant Fixture

Owners Manual



Please consult your electrician for hanging fixture and wiring.



Turn off the main power at the circuit breaker before installing or servicing the light fixture to prevent possible injury from electric shock.



Make sure that all wiring conforms to local and local electrical code (N.E.C.) standards. If you are unfamiliar with proper electrical wiring connections, obtain services of a qualified electrician. Use wire nuts to cap all connections.
Plastic electrical tape is not recommended.

**WARNING:**

To avoid electrical shock turn off power at the fuse or breaker box.

**WARNING:**

Wires need to be connected to driver found in canopy and should NOT be connected to power source or a short may occur

TOOLS REQUIRED:



HARDWARE REQUIRED:

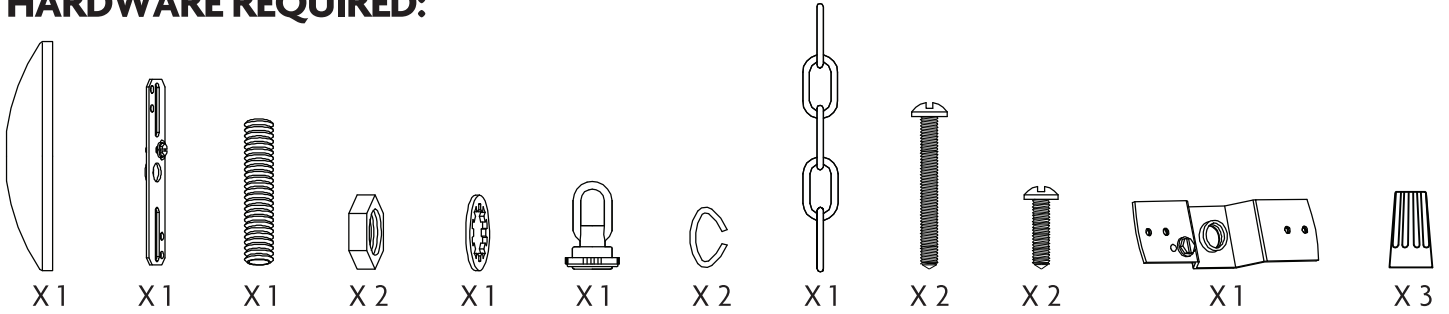


Fig 1

SEMI-FLUSH

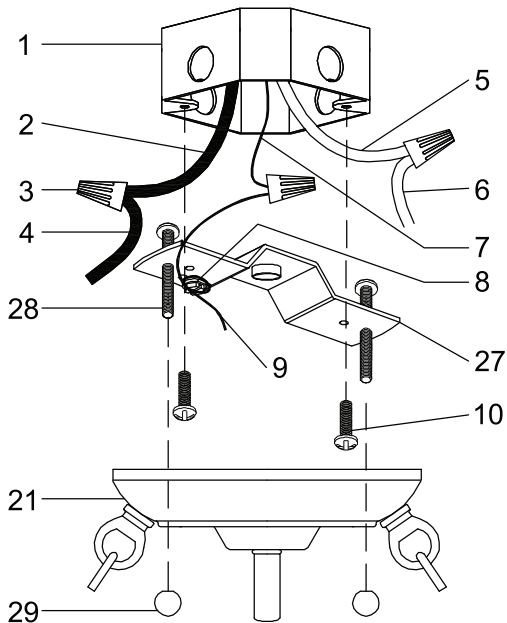
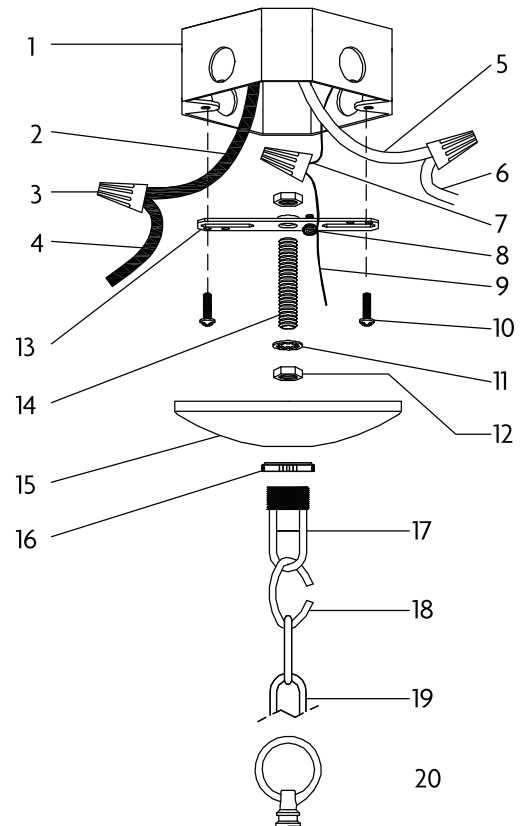


Fig 2

CHAIN DROP



1. Outlet Box
2. Black Supply Wire
3. Wire Connectors
4. Black Fixture Wire
5. White Supply Wire
6. White Fixture Wire
7. House Ground Wire

8. Ground Screw
9. Fixture Ground Wire
10. Strap Mounting Screw
11. Lockwasher
13. Mounting Plate
14. Nipple

15. Canopy
16. Ring
17. Screw collar
18. Open Rings
19. Chain
20. Fixture Loop
21. Fixture

23. Glass Shade
24. Body Loop
25. Fixture Body
26. Finial
27. Mounting Plate
28. Mounting Screw
29. Knob

SEMI-FLUSH MOUNT ASSEMBLY INSTRUCTIONS:

1. Turn off the power at fuse or circuit breaker.
 2. Remove fixture loop (20) from top of center column.
 3. Install the mounting plate (27) onto the outlet box (1) by strap mounting screw (10).
 4. Electrical Connections:
 - Wrap the bare copper ground wire from the fixture (21) around the ground screw (8) on the mounting plate (27), and then connect the bare copper ground wire to the grounding supply wire of the outlet box (1).
 - Connect the white fixture wire (6) (neutral wire, See Fig. 2) from the fixture (21) to the white supply wire (5) from the outlet box (1).
 - Connect the black fixture wire (4) (live wire, See Fig. 2) from the fixture (21) to the black supply wire (2) from the outlet box (1).
 - Cover the three connections using the three wire connectors (3). Wrap the three wire connections with electrical tape for a more secure connection.
 - Carefully tuck wires back into the outlet box.
- Note:** Never connect ground wire to black or white power supply wires.
5. Fasten the fixture (21) through the mounting screw (28) on the mounting plate (27) with the knob (29).
 6. Install the bulb (not included). Please follow the wattage label located on the fixture body.
Do not exceed the recommended wattage.
 7. Slip glass shade (23) into fixture body (25).
Note: put the glass into the fixture body, then take out the one pair of body loop (24) and finial (26) from part bag and lock it.
 8. Hold fixture body (25) in place and hook other end of fixture arm (22) to body loop (24).
-

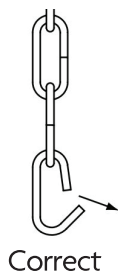
CHAIN DROP ASSEMBLY INSTRUCTIONS:

1. Turn off the power at fuse or circuit breaker.
2. Install the mounting plate (13) onto the outlet box (1) by strap mounting screw (10).
3. Make electrical connection (per step 4 on the instructions above).
4. Pull the fixture loop (20) screw into the fixture (21).
5. Install the bulb (not included). Please follow the wattage label located on the fixture body.
Do not exceed the recommended wattage.
6. Slip glass shade (23) into fixture body (25).
7. Hold fixture body (25) in place and hook other end of fixture arm (22) to body loop (24).

ADJUSTING THE LENGTH OF CHAIN:

Chain length should be determined prior to installation of the lighting fixture. It is not recommended to adjust chain height with the fixture attached.

Pull ends of chain link to open. We recommend use of chain pliers, which are designed for this purpose. (Not included)



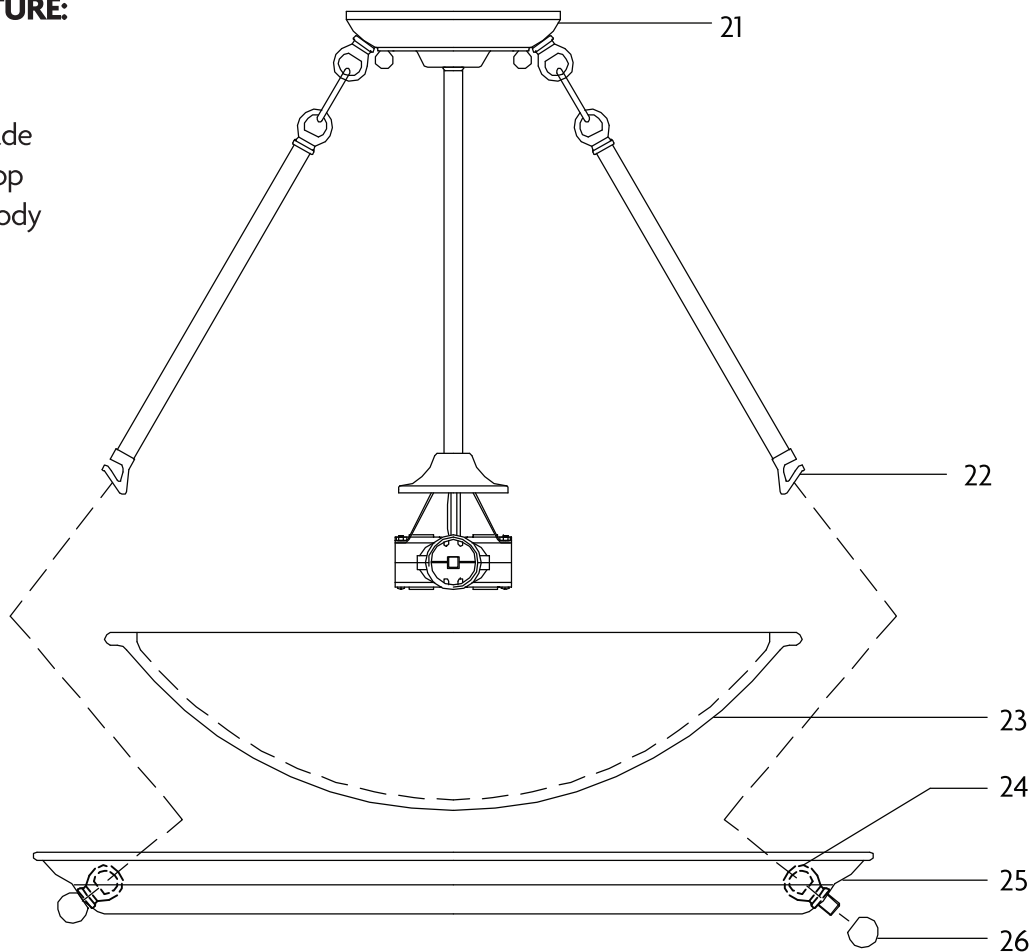
Twisting ends of to open chain may cause links to snap apart.

Do not open chains this way.



MAIN FIXTURE:

- 21. Fixture
- 23. Glass Shade
- 24. Body Loop
- 25. Fixture Body
- 26. Finial



CLEANING:

To clean, wipe fixture with a soft cloth. Clean glass with a mild soap. Do not use abrasive materials like scouring pads or powders, steel wool or abrasive paper.

WARRANTY:

The manufacturer warrants this lighting fixture to be free from defects in materials and workmanship for a period of one (1) year from date of purchase. This warranty applies only to the original consumer purchaser and only to products used in normal use and service. If this product is found to be defective, the manufacturer's only obligation, and your exclusive remedy, is the repair or replacement of the product at the manufacturer's discretion, provided that the product has not been damaged through misuse, abuse, accident, modifications, alterations, neglect or mishandling. This warranty shall not apply to any product that is found to have been improperly installed, set up, or used in any way not in accordance with the instructions supplied with the product. This warranty shall not apply to failure of the product as result of an accident, misuse, abuse, negligence, alteration, or faulty installation, or any other failure not relating to faulty material or workmanship. This warranty shall not apply to the finish on any portion of the product, such as surface and/or weathering, as this is considered normal wear and tear. The manufacturer does not warrant and especially disclaims any warranty, whether expressed or implied, of fitness for a particular purpose, other than the warranty contained herein. The manufacturer especially disclaims any liability and shall not be liable for any consequential or incidental loss or damage, including but not limited to any labor expense costs involved in the replacement or repair of said product.

Wagonway

For more information, visit us at www.wagonway.com