



MODEL NUMBER:
LF-2008-LED-10

Lancaster LED Wall Fixture

Owners Manual



Please consult your electrician for hanging fixture and wiring.



WARNING:

To avoid electrical shock turn off power at the fuse or breaker box.



WARNING:

Wires need to be connected to driver found in canopy and should NOT be connected to power source or a short may occur



Turn off the main power at the circuit breaker before installing or servicing the light fixture to prevent possible injury from electric shock.



Make sure that all wiring conforms to local and local electrical code (N.E.C.) standards. If you are unfamiliar with proper electrical wiring connections, obtain services of a qualified electrician. Use wire nuts to cap all connections. **Plastic electrical tape is not recommended.**

INSTALLATION INSTRUCTIONS:

- A. Disconnect electrical power before installing or servicing any part of this fixture.
- B. Remove fixture from box.

WIRING:

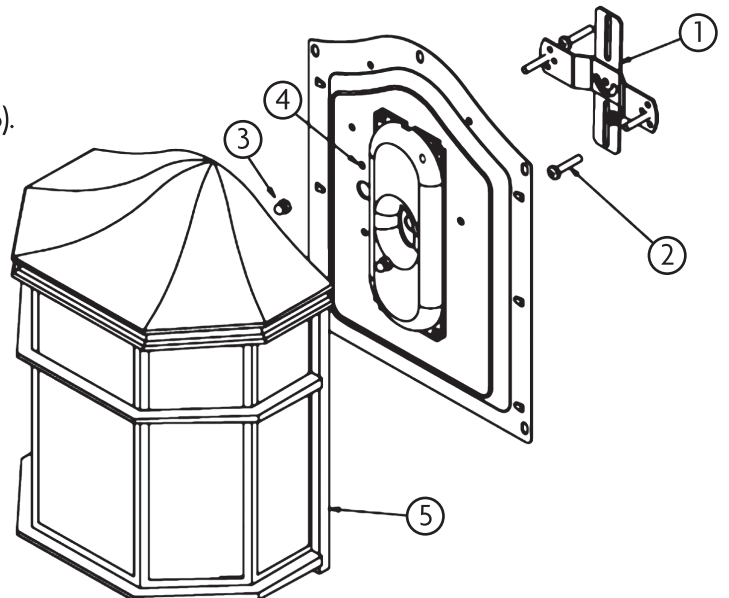
All wiring must take place inside the junction box. Make sure power is off at the circuit breaker box. Check power wires for damage or scrapes. If power supply wires are within three inches of LED driver, use wire suitable for at least 90°C (194°F). **Note:** Most dwellings built before 1958 have supply wire rated to 60°C. Consult a qualified electrician before installing. This unit will not operate properly unless connected to a “grounded” electrical circuit. Electrical shock, over heating, low or no light output, and shortened LED life can result if proper grounding is not done. Securely attach green (or green and yellow) wire to ground supply wire.

- A. Secure gem bar (1) to the junction box (not supplied) with two screws on the gem bar.
- B. Using wire nuts (supplied), connect white (neutral) supply wire to white fixture wire. Connect black (hot) supply wire to black fixture wire. Pull on each wire lead to verify all connections are secure. Make certain no bare wires are exposed outside the wire nuts.
- C. Connect green wire from the power source to the green screw on the gem bar.
- D. Tuck all connections neatly into junction box.

MOUNTING:

- A. Fasten fixture (4 & 5) to gem bar using thumb screws (3).
- B. Apply a bead of silicone sealant (not supplied) around the perimeter of the fixture.

Power to the fixture can now be restored.



For more information, visit us at www.wagonway.com