



MODEL NUMBER:
LF-2030-FL

Addison Light Fixture

Owners Manual



Please consult your electrician for hanging fixture and wiring.



WARNING:
To avoid electrical shock turn off
power at the fuse or breaker box.



WARNING:
Wires need to be connected to driver found
in canopy and should NOT be connected to
power source or a short may occur



Turn off the main power at the circuit breaker before installing or servicing the light fixture to prevent possible injury from electric shock.



Make sure that all wiring conforms to local and national electrical code (N.E.C.) standards. If you are unfamiliar with proper electrical wiring connections, obtain services of a qualified electrician. Use wire nuts to cap all connections. **Plastic electrical tape is not recommended.**

ASSEMBLY STEPS:

1. Turn off the power.
2. Remove the decorative nut (19) from the metal ring (18), remove the metal ring (18) and acrylic lens (17) from the fixture pan (10). (Fig 1).
3. Take the circline lamp out from the lamp bracket (11) by pulling the lamp bracket backward. Then take the ballast receptacle from the lamp connector.
4. Pull the supply wires (4) & (6) and house ground wire (2) out from the outlet box (1).
5. Thread the two fixture screws (14) two full turns into the threaded hole on the outlet box (1). Locate the fixture pan (10) over the outlet box (1), positioning the fixture screw (14) through the large opening of the keyhole slot and then twist in clockwise to the narrow opening of the key hole slot. Make marks on 3 narrow opening of the keyhole slots. Remove the fixture pan (10) from the ceiling. Drill the three holes using the appropriately sized drill bit. Then insert the ceiling anchors (23) into the holes.
6. Make the wiring connections: connect the house ground wire (2) to the fixture ground wire (3) connect the white supply wire (4) to the white fixture wire (5); connect black supply wire (6) to the black fixture wire (8) using wire connectors (7).
7. Positioning the fixture pan over the fixture screw (14) by through the large opening of the keyholslot and then twist in clockwise to the narrow opening of the keyhole slot; Then secure the fixture pan (10) to the outlet box (1) by tightening the two fixture screws (14).
8. Feed the three anchor screws (22) through the keyholes slots; Tighten the anchor screw (22) into the ceiling anchors (23) until the fixture body is flush with the ceiling.
9. (Note: the ballast isdesignated for use with 22W and 32W Circline lamps) attach one ofthe Ballast receptacle (12) to the 22W lamp connector (15). Attach the 22W circline lamp (20) to the fixture pan (10) by pulling a lamp bracket (11) backward and inserting the 22W circline lamp (20). Pull back the remaining lamp brackets (11) and insert the 22 W circline lamp (20). (Fig 2)

FIG. 1

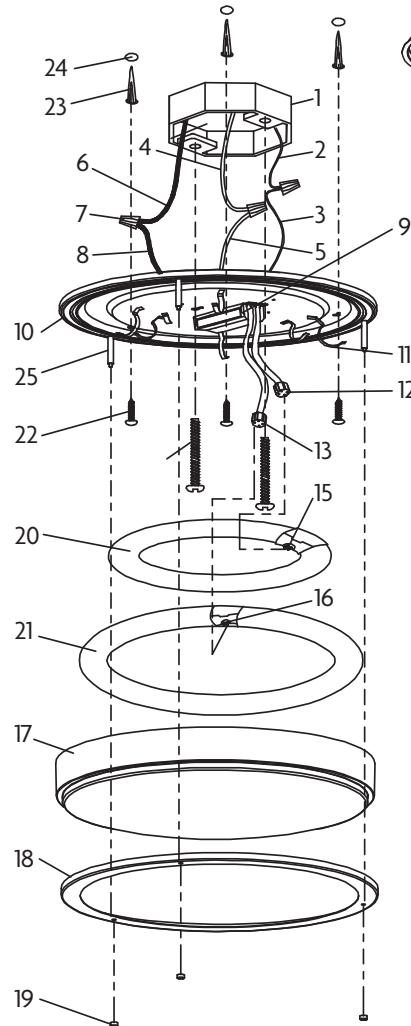
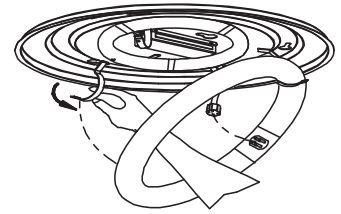
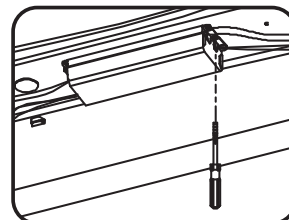


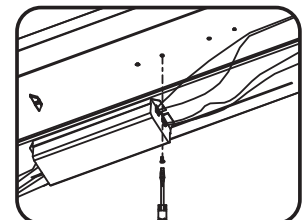
FIG. 2



1. OUTLET BOX
2. HOUSE GROUND WIRE
3. FIXTURE GROUND WIRE
4. WHITE SUPPLY WIRE
5. WHITE FIXTURE WIRE
6. BLACK SUPPLY WIRE
7. WIRE CONNECTOR
8. BLACK FIXTURE WIRE
9. ELECTRONIC BALLAST
10. FIXTURE PAN
11. LAMP BRACKET
12. BALLAST RECEPTACLE
13. BALLAST RECEPTACLE
14. FIXTURE SCREW
15. 22W LAMP CONNECTOR
16. 32W LAMP CONNECTOR
17. ACRYLIC LENS
18. METAL RING
19. DECORATIVE NUT
20. 22W CIRCLINE LAMP
21. 32W CIRCLINE LAMP
22. ANCHORS SCREWS
23. CEILING ANCHORS
24. DRILLED HOLES
25. POST



Use a screw driver to loosen the ballast screw and take it out of fixture pan



Insert Ballast to the triangle hole and then secure it by the screw on the other end

