



MODEL NUMBER:
LF-2028-FL

Avant Trio 48 Light Fixture

Owners Manual



Please consult your electrician for hanging fixture and wiring.



WARNING:

To avoid electrical shock turn off power at the fuse or breaker box.



WARNING:

Wires need to be connected to driver found in canopy and should NOT be connected to power source or a short may occur



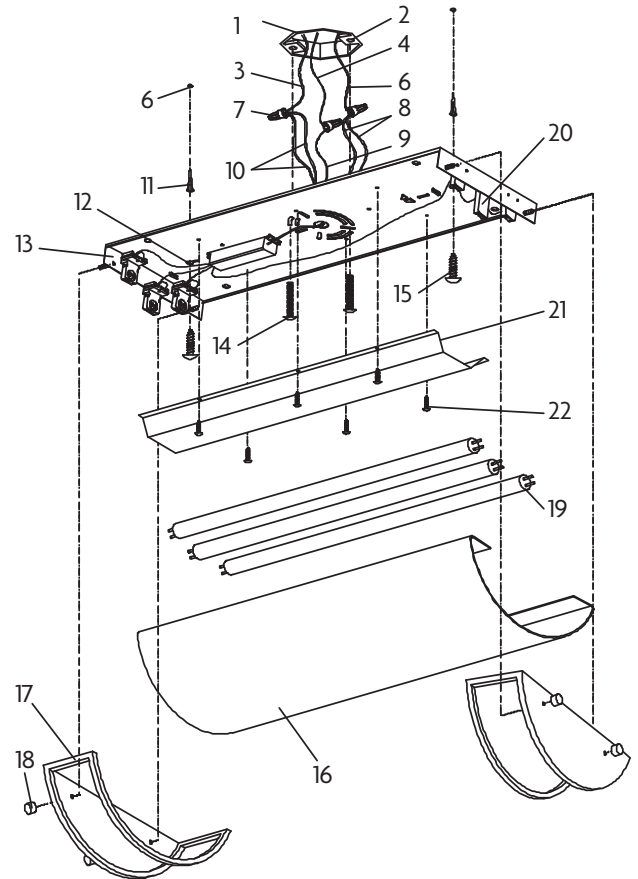
Turn off the main power at the circuit breaker before installing or servicing the light fixture to prevent possible injury from electric shock.



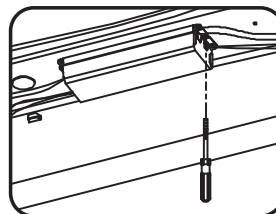
Make sure that all wiring conforms to local and national electrical code (N.E.C.) standards. If you are unfamiliar with proper electrical wiring connections, obtain services of a qualified electrician. Use wire nuts to cap all connections. **Plastic electrical tape is not recommended.**

ASSEMBLY STEPS:

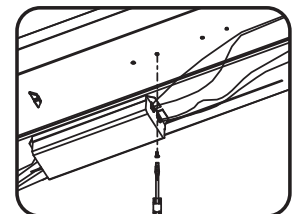
1. Turn off the power.
2. Remove the two DECORATIVE NUTS (18) from one of the END CAPS (17). Remove the END CAP (17) and the ACRYLIC LENS (16) from the FIXTURE BODY (13).
3. Pull the SUPPLY WIRES (3) & (5) and HOUSE GROUND WIRE (4) out from the OUTLET BOX (1).
4. Loosen the WIRE COVER SCREWS (22) from WIRE COVER (21) and take the WIRE COVER (21) out from the FIXTURE BODY (13).
5. Position your fixture over the OUTLET BOX (1). Mark the location of the four KEY HOLE SLOTS (12) located on the FIXTURE BODY (13). Be sure to mark only the narrow parts of the KEY HOLE SLOTS (12). Remove the FIXTURE BODY (13) from the ceiling. Drill the four holes using the appropriately sized drill bit. Insert the provided CEILING ANCHORS (11) into the holes.
6. Make the wiring connections: connect the HOUSE GROUND WIRE (4) to the FIXTURE GROUND WIRE (9); using WIRE CONNECTOR (NOT PROVIDED); connect the WHITE SUPPLY WIRE (3) to the WHITE FIXTURE WIRE (10); connect BLACK SUPPLY WIRE (5) to the BLACK FIXTURE WIRE (8) using WIRE CONNECTORS (7). Carefully tuck all wires back into the OUTLET BOX (1).
7. Reposition your fixture over the OUTLET BOX (1). Feed the two MOUNTING SCREWS (14) through the holes located on the center of the FIXTURE BODY (13). Tighten the MOUNTING SCREWS (14) into the threaded holes on the OUTLET BOX (1).
8. Feed the four ANCHOR SCREWS (15) through the narrow part of the KEY HOLE SLOTS (12). Tighten the ANCHOR SCREWS (15) into the CEILING ANCHORS (11) until the FIXTURE BODY (13) is flush with the ceiling.
9. Put the WIRE COVER (21) back to the FIXTURE BODY (13) and secure it by using 4pcs WIRE COVER SCREWS (22).
10. Install the FLUORESCENT LAMP (19) into the SOCKETS (20). Please follow the wattage label located on the fixture body. Do not exceed the recommend wattage.
11. Place the ACRYLIC LENS (16) over the FIXTURE BODY (13). Replace the END CAP (17) onto the FIXTURE BODY (13), and secure it using the two DECORATIVE NUTS (18).
12. Ballasts in the fixture is accessible and removable by an electrician without cutting of wires and without damage to the housing, trim, decorative elements or the carpentry to which the fixture is attached



- | | |
|------------------------|-----------------------|
| 1. OUTLET BOX | 12. KEY HOLE |
| 2. MOUNTING HOLES | 13. FIXTURE BODY |
| 3. WHITE SUPPLY WIRE | 14. MOUNTING SCREWS |
| 4. HOUSE GROUND WIRE | 15. ANCHOR SCREWS |
| 5. BLACK SUPPLY WIRE | 16. ACRYLIC LENS |
| 6. DRILLED HOLES | 17. END CAP |
| 7. WIRE CONNECTORS | 18. DECORATIVE NUT |
| 8. BLACK FIXTURE WIRES | 19. FLUORESCENT LAMP |
| 9. FIXTURE GROUND WIRE | 20. SOCKET |
| 10. WHITE FIXTURE WIRE | 21. WIRE COVER |
| 11. CEILING ANCHORS | 22. WIRE COVER SCREWS |



Use a screw driver to loosen the ballast screw and take it out of fixture pan



Insert Ballast to the triangle hole and then secure it by the screw on the other end

Wagonway

For more information, visit us at www.wagonway.com