



MODEL NUMBER:  
LF-2025-FL

# Firmament 2

## 2-Bulb Light Fixture

### Owners Manual



Please consult your electrician for hanging fixture and wiring.



**WARNING:**

*To avoid electrical shock turn off power at the fuse or breaker box.*



**WARNING:**

*Wires need to be connected to driver found in canopy and should NOT be connected to power source or a short may occur*



Turn off the main power at the circuit breaker before installing or servicing the light fixture to prevent possible injury from electric shock.

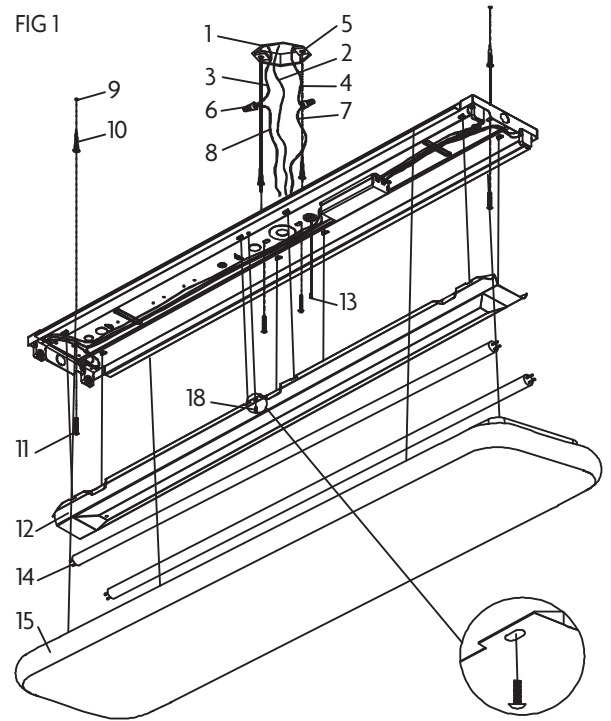


Make sure that all wiring conforms to local and national electrical code (N.E.C.) standards. If you are unfamiliar with proper electrical wiring connections, obtain services of a qualified electrician. Use wire nuts to cap all connections. **Plastic electrical tape is not recommended.**

### ASSEMBLY STEPS:

1. Turn off the power.
2. Remove the wire cover (12) by loosening the screw and snapping the Wire Cover (12) with your finger.
3. Punch through the knockout on the center part of the fixture. Tuck all wires through the hole to the back of the fixture. Position your fixture over the Outlet box (1). Mark the location of the four keyhole slots located on the fixture body. Be sure to mark only the narrow parts of the keyhole slots. Remove the fixture body from the ceiling. Drill the four holes using the appropriately sized drill bit. Insert the provided ceiling anchors into the holes.
4. Make the wiring connections: secure the House Ground Wire (2) to the Green Screw (13) attached on the metal Pan (17). Connect the White Supply Wire (3) to the White Fixture Wire (8); connect Black Supply Wire (4) to the Black Fixture Wire (7) using Wire Connectors. Carefully tuck all wires back into the Outlet.
5. Feed the four Anchor Screws (11) through the narrow part of the Keyhole Slots. Tighten the Anchor Screws into the Ceiling Anchors until the Fixture Body is flush with the ceiling. Follow the drawing #3 to install the wire cover. Snap the wire cover with your hands. Then secure to the fixture body. (See Figure 3)
6. Install the tube (14). Please follow the wattage label located on the fixture body. Do not exceed the recommend wattage.
7. Follow drawing #2 to install the lens (15). Hook the clip of the lens (16) to the curve edge of the pan (17) (see Figure 2 )
8. Ballasts in the fixture is accessible and removable by an electrician without cutting of wires and without damage to the housing, trim, decorative elements or the carpentry to which the fixture is attached.

FIG 1



- |                       |                     |
|-----------------------|---------------------|
| 1. OUTLET BOX         | 10. MOUNTING SCREWS |
| 2. HOUSE GROUND WIRE  | 11. ANCHOR SCREWS   |
| 3. WHITE SUPPLY WIRE  | 12. WIRE COVER      |
| 4. BLACK SUPPLY WIRE  | 13. GREEN SCREWS    |
| 5. DRILLED HOLES      | 14. TUBE            |
| 6. WIRE CONNECTORS    | 15. ACRYLIC LENS    |
| 7. BLACK FIXTURE WIRE | 16. CLIPS           |
| 8. WHITE FIXTURE WIRE | 17. PAN             |
| 9. DRILL HOLES        | 18. SCREWS          |

FIG 2

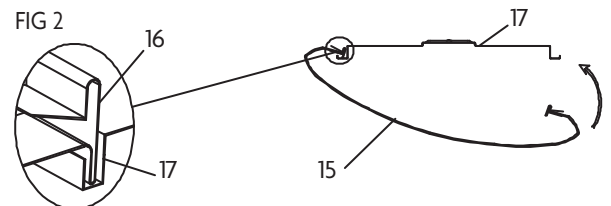
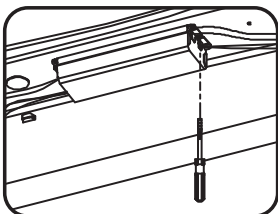
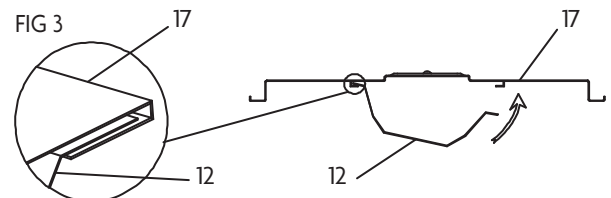
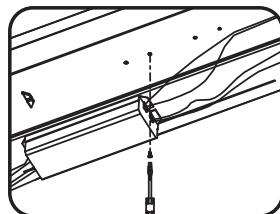


FIG 3



Use a screw driver to loosen the ballast screw and take it out of fixture pan



Insert Ballast to the triangle hole and then secure it by the screw on the other end

**Wagonway**

For more information, visit us at [www.wagonway.com](http://www.wagonway.com)