



MODEL NUMBER:
LF-2024-FL

Industria Light Fixture

Owners Manual



Please consult your electrician for hanging fixture and wiring.



WARNING:

To avoid electrical shock turn off power at the fuse or breaker box.



WARNING:

Wires need to be connected to driver found in canopy and should NOT be connected to power source or a short may occur



Turn off the main power at the circuit breaker before installing or servicing the light fixture to prevent possible injury from electric shock.

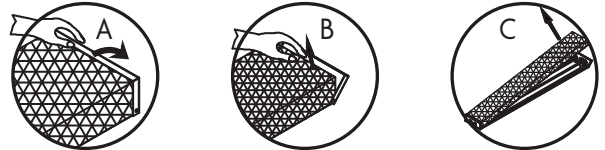


Make sure that all wiring conforms to local and national electrical code (N.E.C.) standards. If you are unfamiliar with proper electrical wiring connections, obtain services of a qualified electrician. Use wire nuts to cap all connections.
Plastic electrical tape is not recommended.

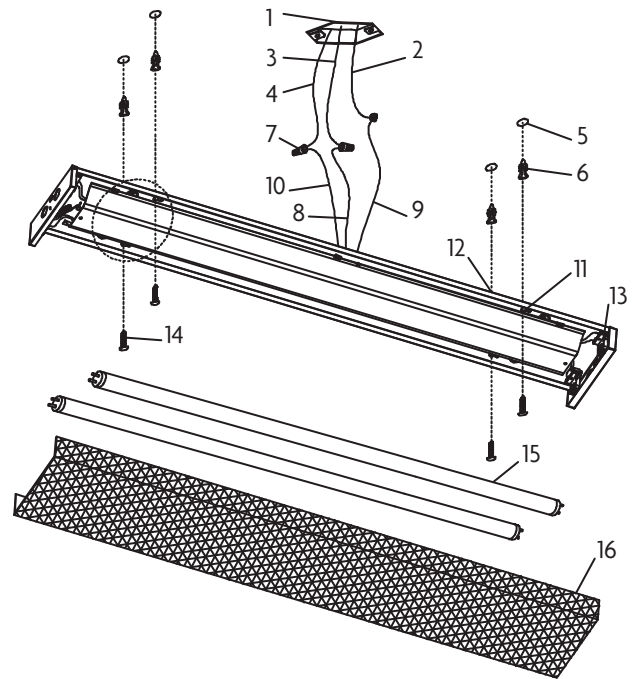
ASSEMBLY STEPS:

1. Turn off the power.
2. Take the fixture out of the box. Remove the acrylic lens from the fixture and place aside on a flat surface to avoid damage to the lens. To remove the lens, Please refer to the label stuck on the end cap. Pull this end cap outward and then remove the acrylic lens from the fixture. (Refer to process #1). Then take the cardboard out from the End cap.
3. Position your fixture over the Outlet Box (1). Mark the location of the four Keyhole Slots (11) located on the Fixture Body (12). Be sure to mark only the narrow parts of the Keyhole Slots (11). Remove the Fixture Body (12) from the ceiling. Drill the four holes using the appropriately sized drill bit. Insert the provided Ceiling Anchors (6) into the holes.
4. Make the wiring connections: connect the House Ground Wire (2) to the Fixture Ground Wire (9) using Wire Connector (7); connect the White Supply Wire (3) to the White Fixture Wire (8); connect Black Supply Wire (4) to the Black Fixture Wire (10) using Wire Connectors (7). Carefully tuck all wires back into the Outlet Box (1).
5. Feed the four Anchor Screws (14) through the narrow part of the Keyhole Slots (11). Tighten the Anchor Screws (14) into the Ceiling Anchors (6) until the Fixture Body (12) is flush with the ceiling.
6. Install the Fluorescent Tube Lamp (15) into the Fluorescent Sockets (13). Please follow the wattage label located on the fixture body. Do not exceed the recommend wattage.
7. To install the lens, carefully slide the lens to the end cap which is fixed making sure the lens is way to the end of the end cap. Pull the other end cap which is moveable Outward and put the lens down. Then the lens will be hold by the end cap.(Refer to process#2).
8. Ballasts in the fixture is accessible and removable by an electrician without cutting of wires and without damage to the housing, trim, decorative elements or the carpentry to which the fixture is attached.

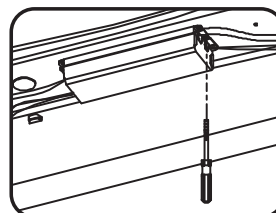
END CAP AND LENS REMOVAL = A - B - C



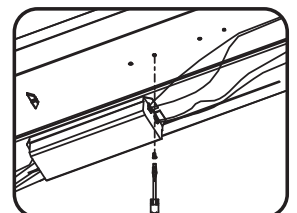
END CAP AND LENS REPLACEMENT = C - B - A



- | | |
|-----------------------|-------------------------|
| 1. OUTLET BOX | 9. GROUND FIXTURE WIRE |
| 2. HOUSE GROUND WIRE | 10. BLACK FIXTURE WIRE |
| 3. WHITE SUPPLY WIRE | 11. KEY HOLE SLOT |
| 4. BLACK SUPPLY WIRE | 12. FIXTURE BODY |
| 5. DRILLED HOLES | 13. BULB SOCKET |
| 6. ANCHOR | 14. ANCHOR SCREWS |
| 7. WIRE CONNECTORS | 15. TUBE (NOT INCLUDED) |
| 8. WHITE FIXTURE WIRE | 16. ACRYLIC LENS |



Use a screw driver to loosen the ballast screw and take it out of fixture pan



Insert Ballast to the triangle hole and then secure it by the screw on the other end

Wagonway

For more information, visit us at www.wagonway.com