



### Electrical Information

Model No.	FL10-200	FL10-400	FL10-600
Power Consumption (±3%)	200W(±5%)	400W	600W
Power Supply	SOSEN		
Input Voltage	120-277 VAC /277-480VAC, 50 / 60 Hz		
Power Factor	>0.92		
Surge Protection	6kV line-line, 10kV line-earth	10kV line-line, 20kV line-earth	
Driver Type	Constant Current (CC)		
Control	Dimmable		

### Optic Information

LED Type 1	LED 5050 (for 30°, 45°, 60°, 38x100°)		
Luminous Flux (±10%)	28000lm	56000lm	84000lm
Efficacy (5000K Ra70)	140lm/W		
Beam Angle	F06003, F06005, F06006, F07001		
LED Type 2	LED 3737 (for 10°, 15°, 15x40°, 14x108°)		
Luminous Flux (±10%)	26000lm	52000lm	78000lm
Efficacy (5000K Ra70)	130lm/W		
Beam Angle	F06001, F06002, F06004, F07002		
Correlated Color Temperature	5000K (4000K optional)		
Color Rendering Index	Ra70 (Ra80 optional)		
UGR level	NA		

### Dimensions and Mount

Product Dimension	322×305×120mm (12.67"×12"×4.7")	440×335×159mm (17.32"×13.19"×6.26")	562×335×163mm (22.13"×13.19"×6.42")
Luminaire Net Weight	6.0±0.3kg(13.22±0.66lbs)	10.5±0.3kg(23.14±0.66lbs)	15.0±0.5kg(33.07±0.66lbs)
Export Carton Size	360×160×375mm (14.17"×6.29"×14.76")	510×405×220mm (20.07"×15.94"×8.66")	615×395×235mm (24.21"×15.55"×9.25")
Gross Weight	6.5±0.3kg(14.33±0.66lbs)	12.0±0.3kg(26.45±0.66lbs)	18.1±0.3kg(39.9±0.66lbs)
Mounting Option	Bracket mounting		
Material	Aluminum alloy		
Finish	Tempered glass and Polycarbonate optical lens		
Fixture Color	Powder coating		
EPA	0.07m²/0.77ft²	0.11m²/1.20ft²	0.16m²/1.72ft²
IK Rating	IK08		
IP Rating	IP66		
Category of corrosion	C3		

### Lifespan and Warranty

Operating Temperature	-30°C to +50°C (-22°F to 122°F)
Life Time of LED @Ta=25°C	44,000hrs-L90 93,000hrs-L80 147,000hrs-L70
Warranty	5 years

### New Features

\* Please consult us for details.

### Description

A versatile flood light with full offerings from 200W to 1,200W. This fixture is ideal to retrofit the 400W to 1,500W traditional HID lamps. The modular design assembles quickly and with easy adjustments can accommodate a variety of field conditions, mounting heights, and lens angles for optimal illumination. Full complement of wattages from 200 to 600W, replacing 400W to 1500W HID lamps. Easy to install and adjust, with four beam angles to satisfy all sports field or outdoor applications requiring maximum precise illumination. 20KVA surge will assure proper operation during lightning events.

### Key Features

- Modular design from 200W to 600W.
- Vertically angle adjustment, easy way to adjust the light angle and create diversity of lighting environment.
- This convenient and humanized design enable it fit for different requests in outdoor lighting applications.
- Multiple optics option symmetric beam from 10° to 60°, also asymmetric beam to offer excellent light pollution control.
- Efficiency up to 140lm/W, more energy saving.
- Provided with 10KV or 20KV built-in surge protection devices.

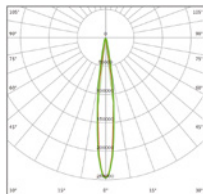
### Applications

- Parking lots
- Outdoor Sports
- Square
- Stadium
- For recreational sports (tennis courts, basketball courts...)
- Exhibition center
- Soccer field

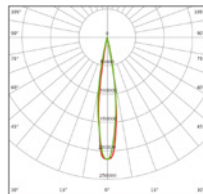
\*Lumen output and light distribution are only for reference. Not all product variations listed on this page are DLC Standard/Premium qualified. Visit [www.designlights.org/search](http://www.designlights.org/search) to confirm qualification.

### Photometry

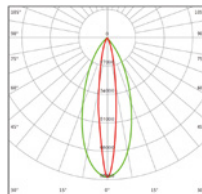
LED3737



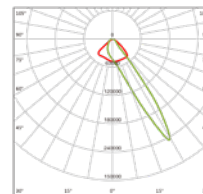
S06001



S06002

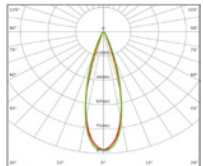


S06004

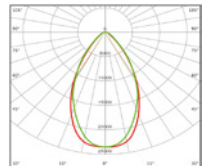


S07002

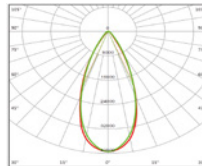
LED5050



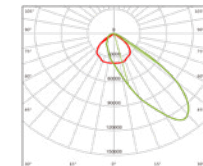
S06003



S06005



S06006



S07001

## Mounting Options

Bracket mounting



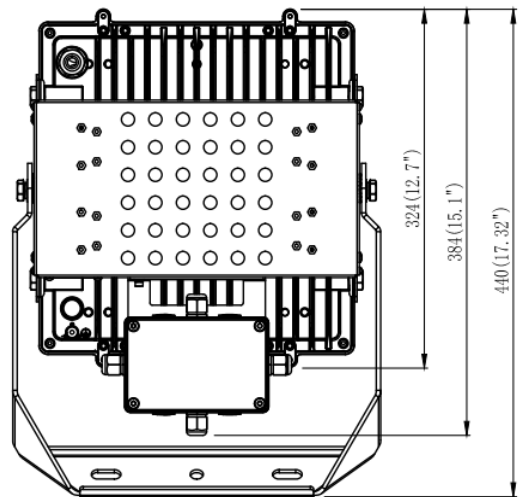
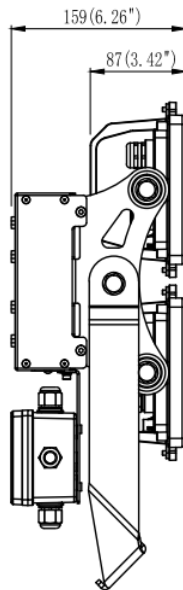
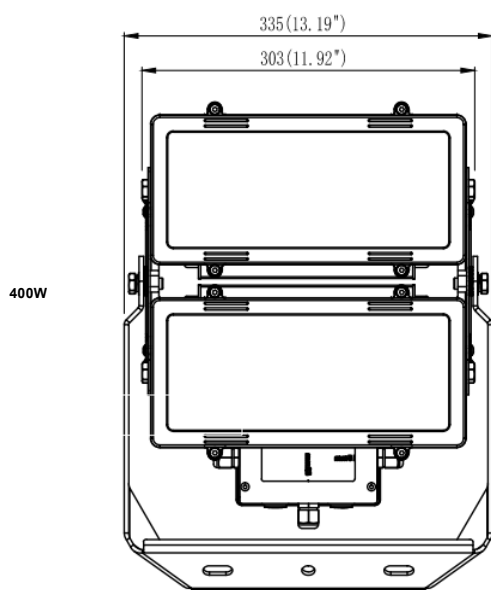
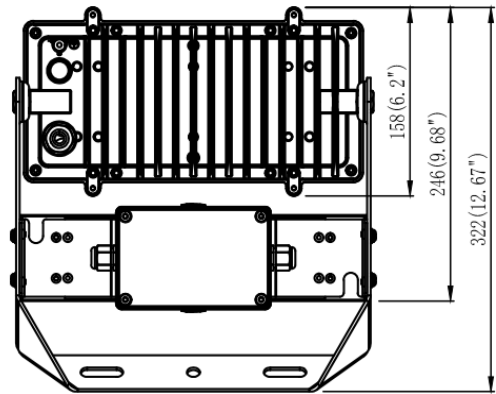
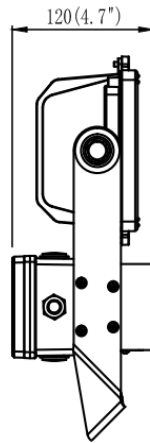
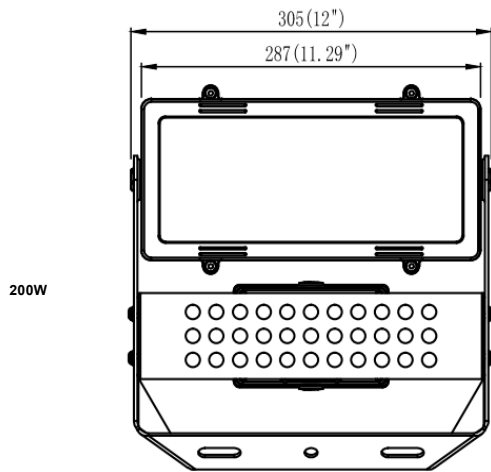
200W

400W

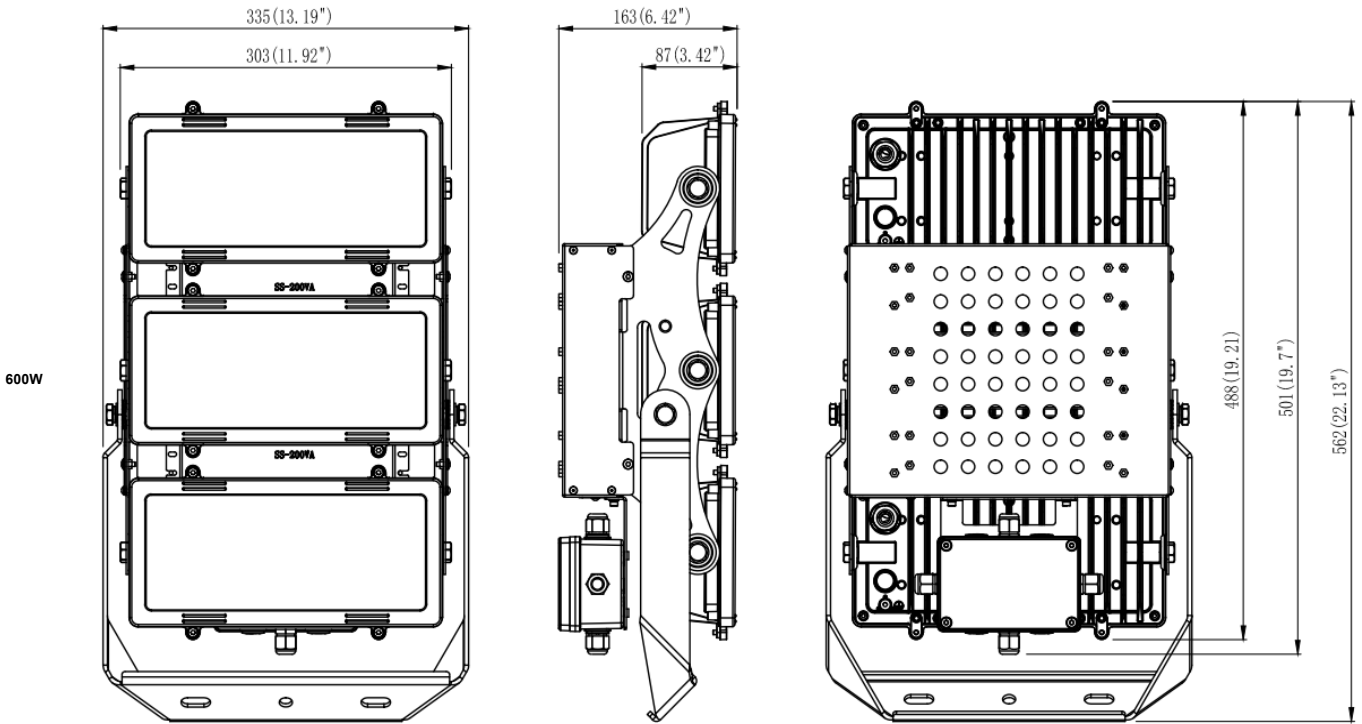
600W

## Dimensions

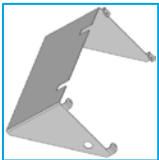
Unit:mm



Unit:mm



## Accessories



**Visor**  
SPCC materials, with powder coating for single LED module.



**Safety rope**  
Auxiliary safety device to prevent accidents



**Adaptor mounting**  
Aluminum materials with powder coating, dia.60mm.